

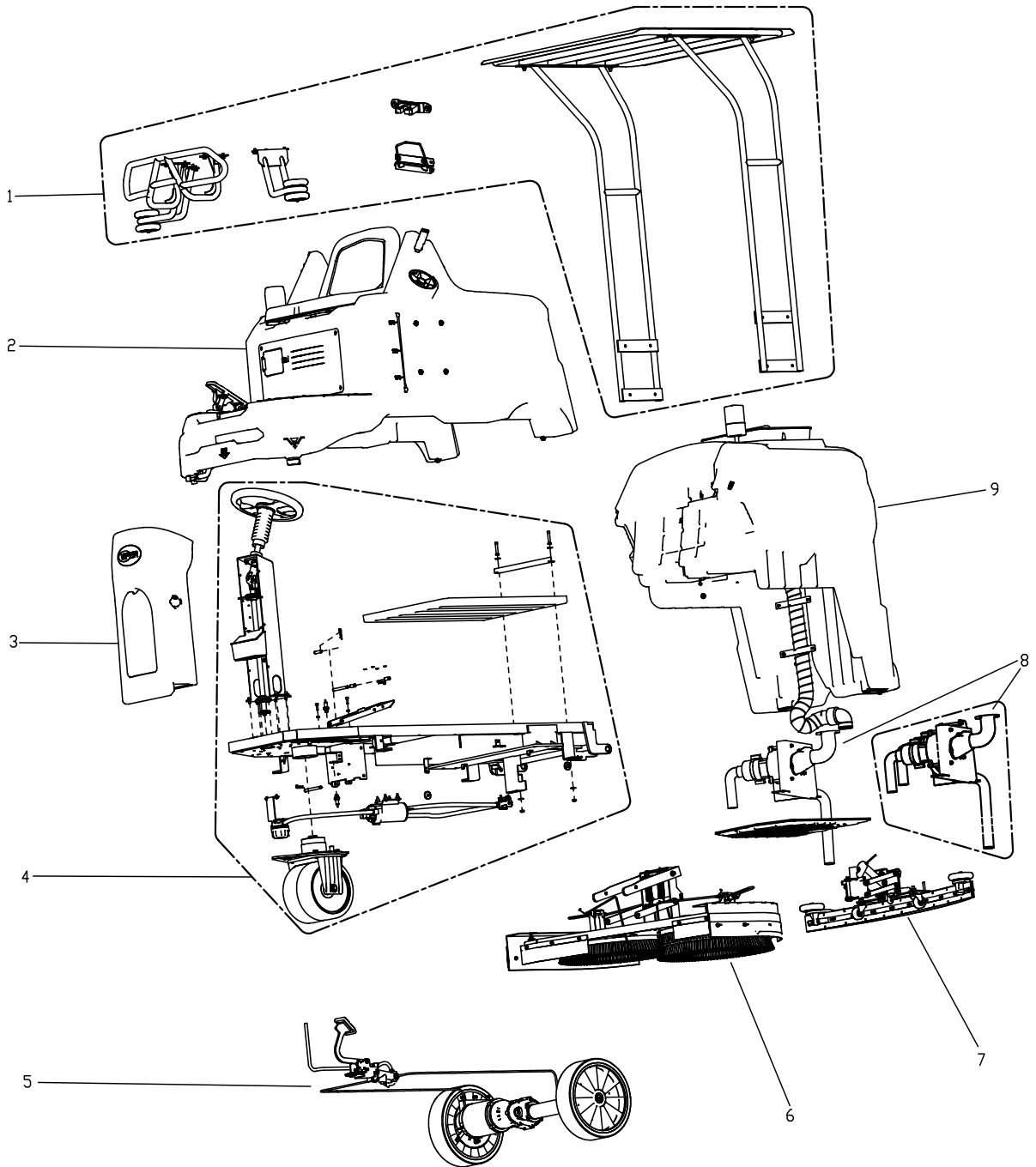
PARTS LIST



2021.08.24

TABLE OF CONTENTS

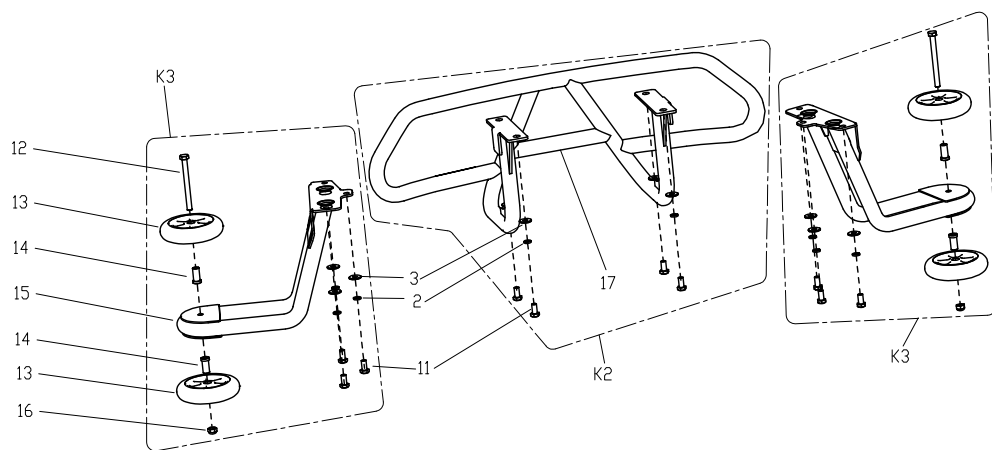
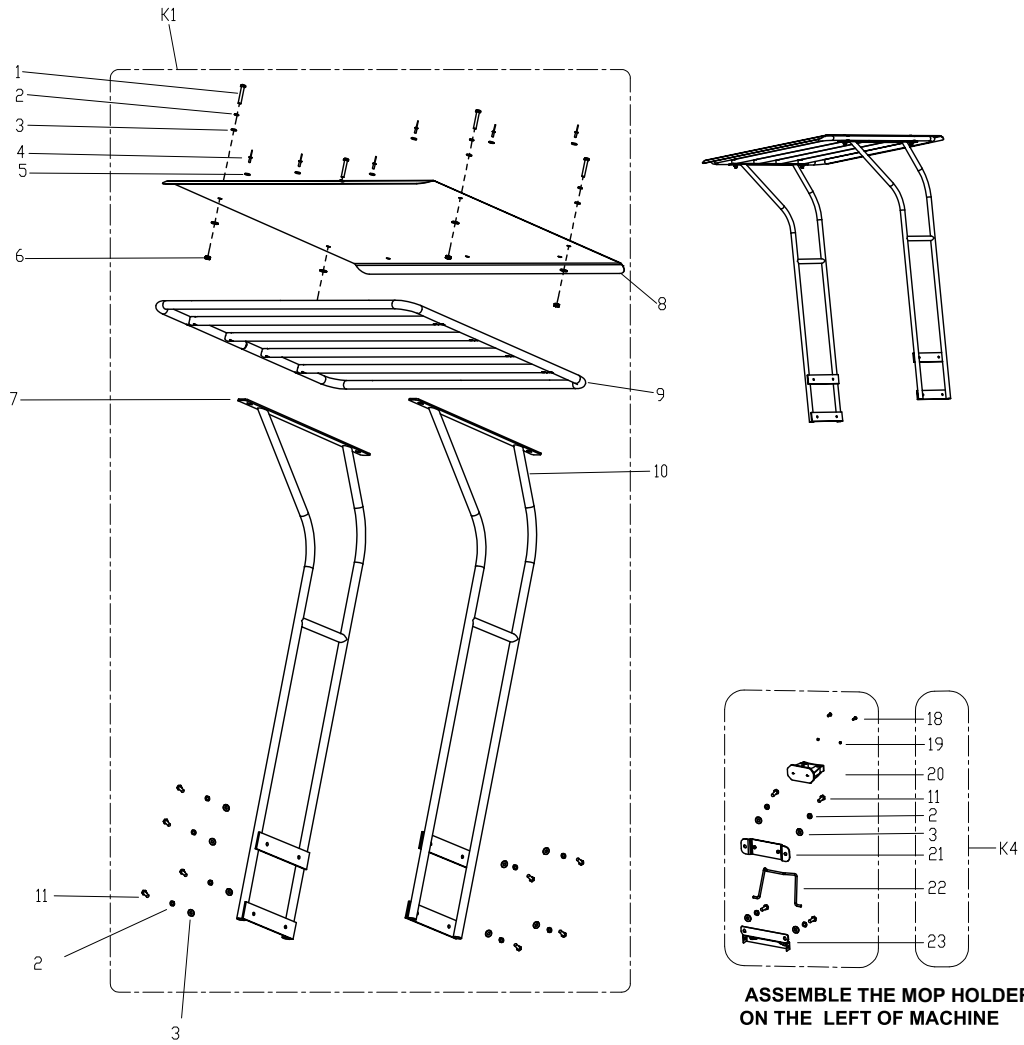
OVERVIEW.....	1
BUMPERS AND OVERHEAD GUARD AND MOP HOLDER.....	3
CHASSIS ASSEMBLY.....	5
FRONT MAIN FRAME ASSEMBLY.....	8
DRIVE WHEEL AND MECHANICAL BRAKE ASSEMBLY.....	10
BRUSH ASSEMBLY.....	12
SQUEEGEE ASSEMBLY.....	15
CONTROL HOUSING ASSEMBLY.....	17
SOLUTION TANK ASSEMBLY.....	19
ELECTRIC PARTS ASSEMBLY.....	22
RECOVERY TANK ASSEMBLY.....	24
VACUUM MOTOR ASSEMBLY.....	27
ELECTRIC PARTS.....	29
WEAR AND TEAR PARTS.....	31



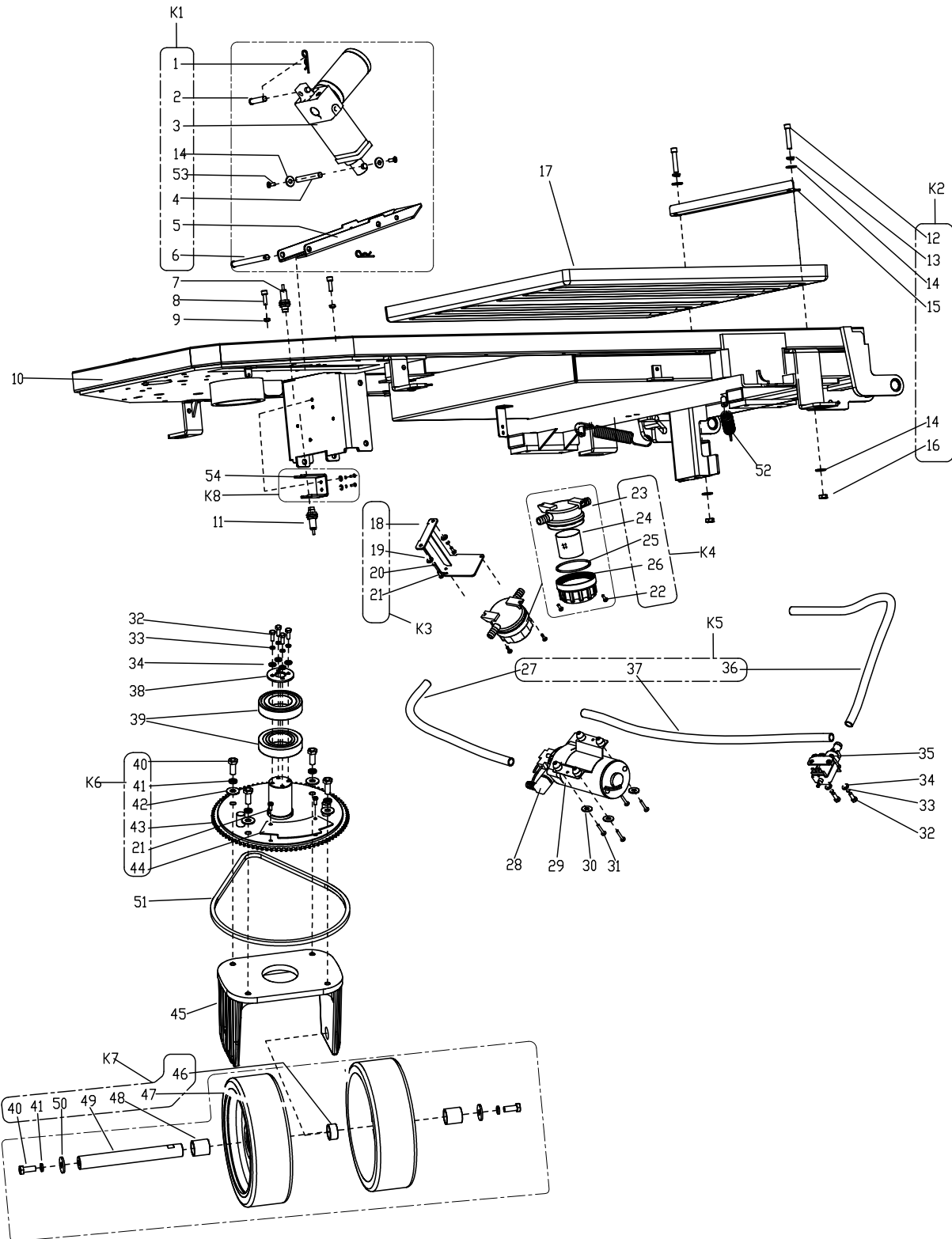
Pos.	Product no	QTY	Description	Notes
1		1	BUMPER AND OVERHEAD GUARD	[1]
2		1	SOLUTION TANK ASSEMBLY	[2]
3		1	CONTROL HOUSING ASSEMBLY	[3]
4		1	CHASSIS ASSEMBLY	[4]
5		1	DRIVE WHEEL AND MECHANICAL BRAKE ASSEMBLY	[5]
6		1	BRUSH ASSEMBLY 40 INCH	[6]
7		1	SQUEEGEE ASSEMBLY	[7]
8		1	VACUUM MOTOR ASSEMBLY	[8]
8		1	DUAL VACUUM MOTOR ASSEMBLY	[8]
9		1	RECOVERY TANK ASSEMBLY	[9]

Part Notes:

- [1] - BUMPERS AND OVERHEAD GUARD AND MOP HOLDER
- [2] - SOLUTION TANK ASSEMBLY
- [3] - CONTROL HOUSING ASSEMBLY
- [4] - CHASSIS ASSEMBLY
- [5] - DRIVE WHEEL AND MECHANICAL BRAKE ASSEMBLY
- [6] - BRUSH ASSEMBLY
- [7] - SQUEEGEE ASSEMBLY
- [8] - VACUUM MOTOR ASSEMBLY
- [9] - RECOVERY TANK ASSEMBLY



Pos.	Product no	QTY	Description	Notes
1	VF14243	4	SCREW M8 X 45	
2	VF13519	26	WASHER LOCK M8	
3	VF13524	30	WASHER PLAIN M8	
4		6	RIVET	
5	VF13614	6	WASHER PLAIN M6	
6	VA13490	4	NUT M8	
7		1	SUPPORT TOP ROOF LEFT	
8		1	PLATE TOP ROOF	
9		1	BRACKET TOP ROOF	
10		1	SUPPORT TOP ROOF RIGHT	
11	VV13604	22	SCREW HEX M8 X 20	
12		2	SCREW HEX HD M8X90	
13	VR14404	4	ROLLER BUMPER	
14		4	BUSHING FLANGE BRASS Ø8.2X Ø10.8X26	
15		2	SIDE BUMPER WELDMENT	
16	VF14516	2	NUT LOCK M5	
17		1	FRONT BUMPER	
18	VV13650A	2	SCREW M4X10	
19	VF13555	2	WASHER PLAIN 5X12X1.5	
20		1	MOP HOLDER	
21		1	BRACKET MOP HOLDER	
22		1	SUPPORT BRACKET MOP	
23		1	FIXING SUPPOR BRACKET	
K1*	VR41510	1	OVERHEAD GUARD KIT	
K2	VR41148	1	FRONT BUMPER KIT	
K3	VR41147	2	SIDE BUMPER KIT	
K4*	VR41561	1	MOP HOLD KIT	



CHASSIS ASSEMBLY

AS1050R

2020.10.26

2020.11.27

Pos.	Product no	QTY	Description	Notes
1	VS13518	2	CONNECTING PIN	
2		1	PIN CLEVIS BRUSH ACTUATOR Ø10X42	
3		1	ACTUATOR BRUSH 36V 2000N	
4		1	PIN CLEVIS BRUSH ACTUATOR Ø9.9X36.5	
5		1	ARM DECK LIFT	
6		1	PIN DECK LIFT ARM	
7	VR41951	1	SENSOR 12V UPPER	
8	VF13498	2	SCREW M6X20	
9	VF13521	2	NUT M6	
10	VR41101	1	CHASSIS WELDMENT	
11	VR41950	1	SENSOR 12V LOWER	
12	VF14258	2	HEX SOCKET SCREW M8X40	
13	VF13519	2	WASHER LOCK M8	
14	VF13524	6	WASHER PLAIN M8	
15		1	BRACKET BATTERY	
16	VF13513	2	NUT NYLON INSERT M8	
17*	VR41119	1	TRAY BATTERY	
18		1	BRACKET FILTER	
19		2	WASHER PLAIN Ø5XØ10X1	
20	VV13601	2	WASHER LOCK M5	
21		4	SCREW PH M5X12	
22	VV13650A	2	SCREW M4X10	
23	VF80112	1	SEAT FILTER	
24	VR41524	1	FILTER STAINLESS	
25	VR41523	1	O-RING SEALING FILTER RUBBER	
26	VR41522	1	COVER FILTER PLASTIC	
27		1	SOLUTION TUBE F PUMP L= 440MM	
28	VF81403A	2	ELBOW SOLUTION TANK	
29	VR41966	1	PUMP WATER 24V	
30	VA13483	4	WASHER PLAIN M4	
31	VF14070	4	SCREW M4X25	
32	VF13495	6	SCREW HEX M6 X 16	
33	VV13607	6	WASHER LOCK M6	
34	VF13533	6	WASHER PLAIN M6 X M16 X 2	
35	VR11600	1	VALVE	
36		1	SOLUTION TUBE F BRUSH DECK L=560MM	
37		1	SOLUTION TUBE F VALVE L=720MM	
38	VR41109	1	LIMITED PLATE BEARING	
39	VR41108	2	BEARING 7209AC 45X85X19	
40	VF14123	6	SCREW M10 X 25	
41	VF13518	6	WASHER LOCK F10	
42	VF13537	4	WASHER PLAIN M10XM26X2	
43		1	SPROCKET T87	
44		1	METAL PLATE F SENSOR	
45	VR41106	1	BRACKET FRONT WHEEL	
46		1	BUSHING Ø25.5XØ30X25	
47	VR41103	2	FRONT WHEEL	
48		2	BUSHING Ø25.5XØ30X33.2	
49	VR41105	1	SHAFT FRONT WHEEL	
50	VR41111	2	WASHER PLAIN 10X33X3	
51	VR41146	1	CHAIN 9.525 P	
52	VR41001	2	SPRING SQGEE SWING	
53		2	SCREW C/SUNK HD M5X10	
54		1	BRACKET SENSOR	
K1	VR41149	1	BRUSH ACTUATOR KIT	
K2	VR41150	1	BATTERY BRACKET KIT	
K3	VR41152	1	FILTER BRACKET KIT	
K4	VR41528	1	FILTER KIT	
K5	VR41165	1	SOLUTION TUBE KIT	

CHASSIS ASSEMBLY

AS1050R

2020.10.26

2020.11.27

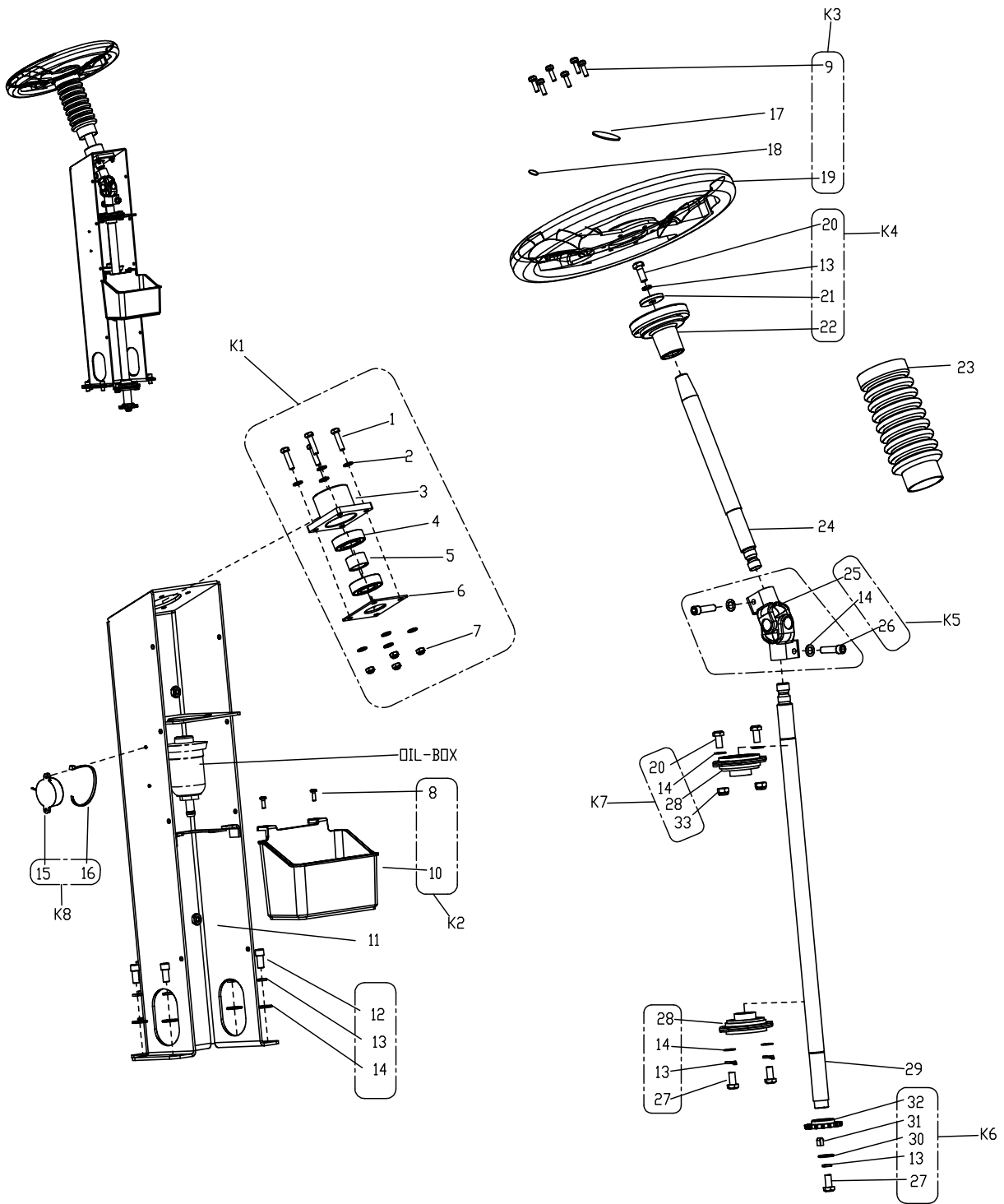
Pos.	Product no	QTY	Description	Notes
K6	VR41167	1	SPROCKET KIT	
K7	VR41168	1	FRONT WHEEL KIT	
K8	VR41169	1	BRACKET SENSOR KIT	

FRONT MAIN FRAME ASSEMBLY

AS1050R

2020.10.26

2020.11.27



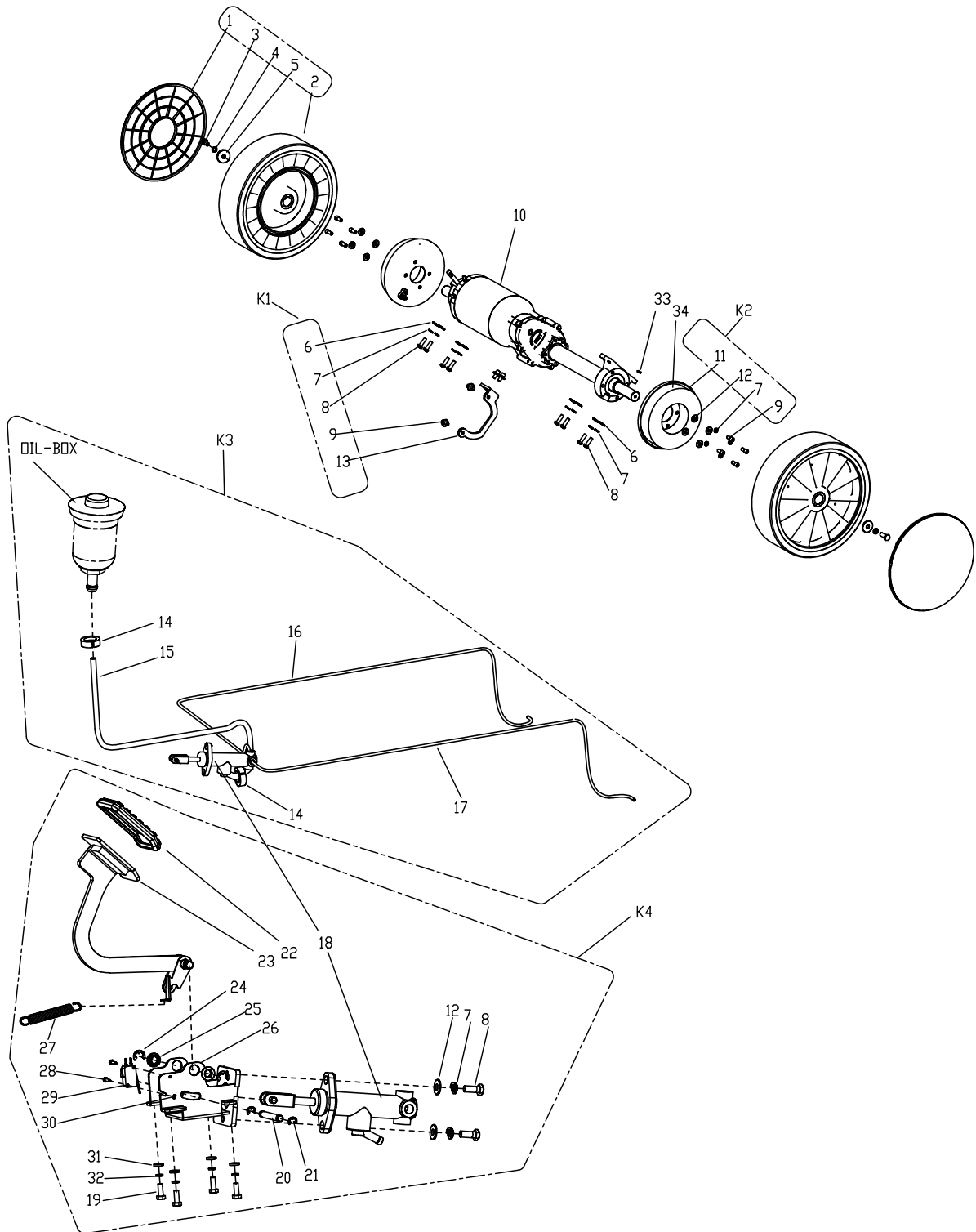
FRONT MAIN FRAME ASSEMBLY

AS1050R

2020.10.26

2020.11.27

Pos.	Product no	QTY	Description	Notes
1	VV20058	4	HHC SCREW M6X25	
2	VF13533	8	WASHER PLAIN M6 X M16 X 2	
3	VR12002	1	BRACKET FIXED BEARING	
4	VF14075	2	BEARING 6004 2RS	
5	VR12008	1	SPACER BUSHING	
6	VR12003	1	PLATE FIXED BEARING	
7	VF14506	4	NUT LOCK SS M6	
8		2	SCREW HEX SOC HD M5X12	
9	VR34031	6	SCREW BLACK M5 X 16	
10		1	TOOL BOX STORAGE	
11	VR41403	1	MAIN FRAME FRONT	
12	VV13656	6	SCREW M8X16	
13	VF13519	10	WASHER LOCK M8	
14	VF13514A	6	WASHER PLAIN M8 X M16.5 X 1	
15	VR12014	1	BUZZER	
16	RD20652	1	CABLE TIE	
17		1	OVAL LOGO STEERING WHEEL	
18		1	CIRCULAR LOGO STEERING WHEEL	
19		1	STEERING WHEEL	
20	VA13491	3	SCREW M8 X 25	
21	VF82058	1	WASHER	
22	VR10034	1	LOCK CONE BLOCK	
23	VR34014	1	STEERING WHEEL AXIS SHEATH	
24	VR41404	1	SHAFT STEERING WHEEL UPPER	
25		1	UNIVERSAL JOINT	
26	VF14251	2	SCREW ST4X8	
27	VV13604	3	SCREW HEX M8 X 20	
28	VR11006	2	BRARING	
29	VR41141	1	SHAFT STEERING WHEEL LOWER	
30	VF13524	1	WASHER PLAIN M8	
31		1	KEY SQUARE	
32		1	SPROCKET T15	
33	VF14516	2	NUT LOCK M5	
K1	VR24071	1	KIT BEARING BASE	
K2	VR41430	1	STORAGE BOX KIT	
K3	VR34041	1	KIT STEERING WHEEL	
K4	VR10039	1	RUBBER SLEEVE STEERING WHEEL	
K5	VR41431	1	UNIVERSAL JOINT KIT	
K6	VR41432	1	SPROCKET KIT	
K7	VR41171	1	BEARING UPPER KIT	
K8	VR34052	1	KIT BUZZER	



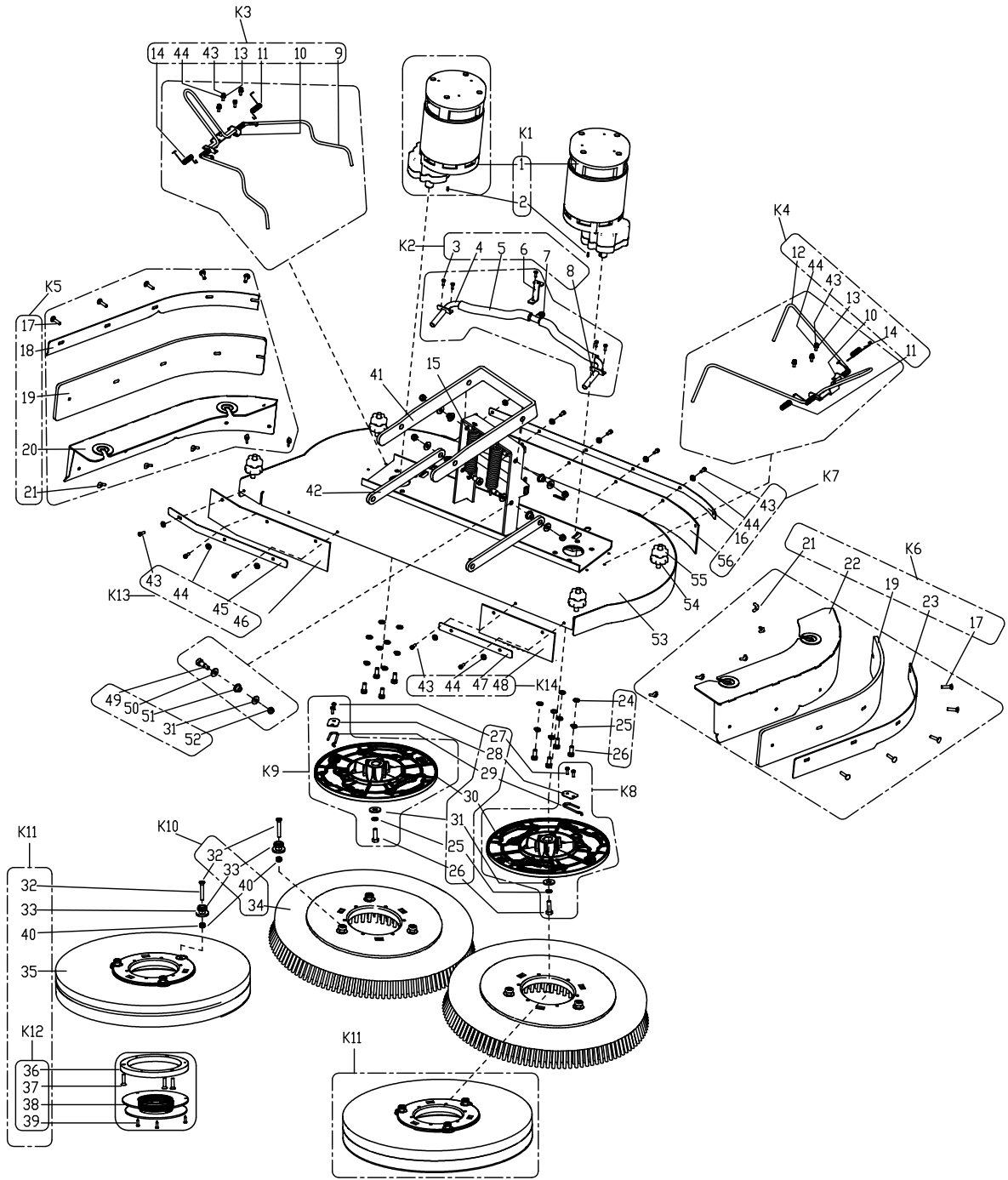
DRIVE WHEEL AND MECHANICAL BRAKE ASSEMBLY

AS1050R

2020.10.26

2020.11.23

Pos.	Product no	QTY	Description	Notes
1		2	COVER REAR WHEEL	
2	VR41116	2	DRIVE WHEEL	
3	VF14123	2	SCREW M10 X 25	
4	VF13518	2	WASHER LOCK F10	
5	VR41111	2	WASHER PLAIN 10X33X3	
6	VF13514A	10	WASHER PLAIN M8 X M16.5 X 1	
7	VF13519	18	WASHER LOCK M8	
8	VA13491	10	SCREW M8 X 25	
9		10	SCREW HEX SOC HD M8X16	
10	VR41900	1	DRIVE MOTOR 36V 1100W	
11		2	MECHANICAL BRAKE	
12	VF13524	10	WASHER PLAIN M8	
13		1	BRACKET DRIVE MOTOR	
14	VV10114	2	CLAMP	
15		1	OIL TUBE RUBBER	
16		1	OIL PIPE BRASS RIGHT	
17		1	OIL PIPE BRASS LEFT	
18	VR41122-1	1	BRAKE PUMP OIL	
19	VF13495	4	SCREW HEX M6 X 16	
20	VR41140	1	PIN 8X67.5	
21		2	E-RING Ø6	
22	VR41125	1	COVER RUBBER F BRAKE PEDAL	
23	VR41123	1	BRAKE PEDAL	
24	VF14120	2	RETAINING RING EXT	
25	VR41117	2	BUSHING 10.2X14X6 BRASS	
26	VR41121	1	BRACKET BRAKE PUMP	
27	VR41139	1	SPRING BRAKE PUMP	
28		2	SCREW HEX M3X14	
29	VR12005	1	MICRO SWITCH	
30		2	NUT LOCK M3	
31	VF13614	4	WASHER PLAIN M6	
32	VV13607	4	WASHER LOCK M6	
33	VR41969	2	KEY SQUARE F DRIVE MOTOR	
34	VR41138	2	BRAKE PADS	
K1	VR41155	2	LOCK DRIVE MOTOR KIT	
K2	VR41156	2	MECHANICAL BRAKE KIT	
K3	VR41122	1	BRAKE PUMP OIL KIT	
K4	VR41120	1	BRAKE PEDAL KIT	



BRUSH ASSEMBLY

AS1050R

2020.10.26

2020.11.27

Pos.	Product no	QTY	Description	Notes
1		2	BRUSH MOTOR 36V 750W	
2	ZD45407	2	KEY 6.35 X 25	
3	VV13650A	5	SCREW M4X10	
4		1	PIPE RIGHT STAINLESS	
5		2	DRAIN TUBE CONNECTION	
6		1	CLAMP THREE-WAY TUBE JOINT	
7	VF82040	1	HOSE BARB TEE	
8		1	PIPE LEFT STAINLESS	
9		1	CLAMP CLICK-ON BRUSH RIGHT	
10		2	BRACKET CLAMP CLICK-ON BRUSH	
11		2	SPRING TORSION Ø1.8 RIGHT	
12		1	CLAMP CLICK-ON BRUSH LEFT	
13	VV13601	6	WASHER LOCK M5	
14		2	SPRING TORSION Ø1.8 LEFT	
15	VR41224	2	SPRING TENSION	
16	VR41220	1	STRAP SKIRT REAR STAINLESS	
17		10	SCREW CARRIAGE M6X25	
18	VR41249	1	STRAP SIDE BLADE RIGHT STAINLESS	
19	VR41206	2	BLADE SCRUB DECK RUBBER	
	VR41206LX	2	BLADE SCRUB DECK LINATEX	
20		1	BRACKET SIDE BLADE RIGHT	
21	VF14101	10	NUT BUTTERFLY M6	
22		1	BRACKET SIDE BLADE LEFT	
23	VR41256	1	STRAP SIDE BLADE LEFT	
24	VF13514A	8	WASHER PLAIN M8 X M16.5 X 1	
25	VF13519	10	WASHER LOCK M8	
26	VV13604	10	SCREW HEX M8 X 20	
27	VF13545	4	SCREW SELF-TAPPING ST M5X10	
28	VR35006	2	SPRING CLAMP	
29		2	CLAMP SPRING	
30	VS14319	2	DRIVER PAD BRUSH	
31	VF13542	10	PLAIN WASHER DIAMETER 8X26X2	
32	VF14225A	6	SCREW FH M6 X 40	
33	VF83133	6	STUD	
34		2	BRUSH 20INCH PP BLACK	
35		2	PAD HOLDER 20INCH	
36	VF83118	2	SPACER	
37		6	SCREW TAPPING ST6.5X30	
38	VF99003A	2	BIG MOUTH	
39	VA13477	6	ST4.2X16	
40		6	LOCKNUT M6	
41	VR41229	1	ARM U-SHAPED DECK UPPER	
42	VR41228	1	ARM U-SHAPED DECK DOWN	
43		18	SCREW HEX SOC HD M5X12	
44		12	WASHER PLAIN Ø5XØ10X1	
45	VR41219	1	STRAP SKIRT FRONT RIGHT	
46	VR41216	1	SKIRT FRONT RIGHT	
47	VR41218	1	STRAP SKIRT FRONT LEFT	
48	VR41217	1	SKIRT FRONT LEFT	
49	VF80355A	8	SHOULDER BOLT M10X16	
50	VF14122	8	PLAIN WASHER DIAMETER 10X20X2	
51	VR41230	8	BUSHING BRASS	
52	VF14516	8	NUT LOCK M5	
53	VR41201	1	BRUSH DECK WELDMENT	
54	VR41232	4	KNOB NUT M10 H12	
55	VR41226	4	KNOB NUT M10 H28	
56	VR41215	1	SKIRT REAR RUBBER	
K1	VR41903	2	BRUSH MOTOR 36V 750W	
K2	VR41202	1	TUBE F BRUSH KIT	

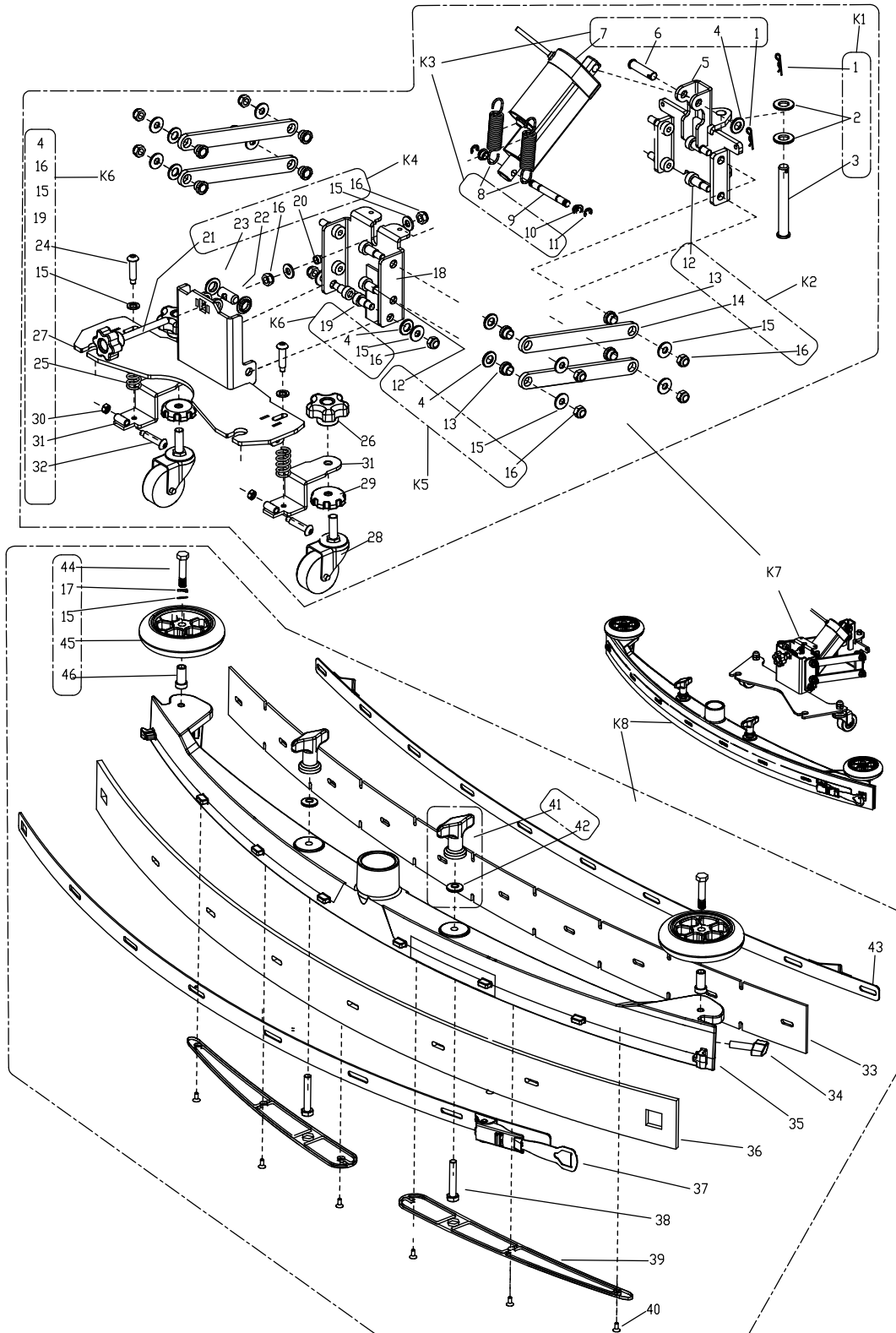
BRUSH ASSEMBLY

AS1050R

2020.10.26

2020.11.27

Pos.	Product no	QTY	Description	Notes
K3	VR41203	1	CLAMP CLICK-ON BRUSH RIGHT KIT	
K4	VR41204	1	CLAMP CLICK-ON BRUSH LEFT KIT	
K5	VR41212	1	SIDE SKIRT ASSY RIGHT NR KIT	
K6	VR41208	1	SIDE SKIRT ASSY LEFT NR KIT	
K7	VR41271	1	REAR SKIRT MOUNTING KIT	
K8	VR41225	1	BRUSH PLATE LEFT KIT	
K9	VR41214	1	BRUSH PLATE RIGHT KIT	
K10	VF82056	2	POLY SCRUB BRUSH - FANG 20-20T	
	VR41275	2	BRUSH 510MM 20IN 180GRIT HARD	
	VF82056C	2	BRUSH 510MM 20IN SOFT	
K11	VF82057	2	PAD DRIVER 19	
K12	VS10131	2	RETAINER PAD KIT	
K13	VR41272	1	FRONT SKIRT RIGHT MOUNTING KIT	
K14	VR41273	1	FRONT SKIRT LEFT MOUNTING KIT	



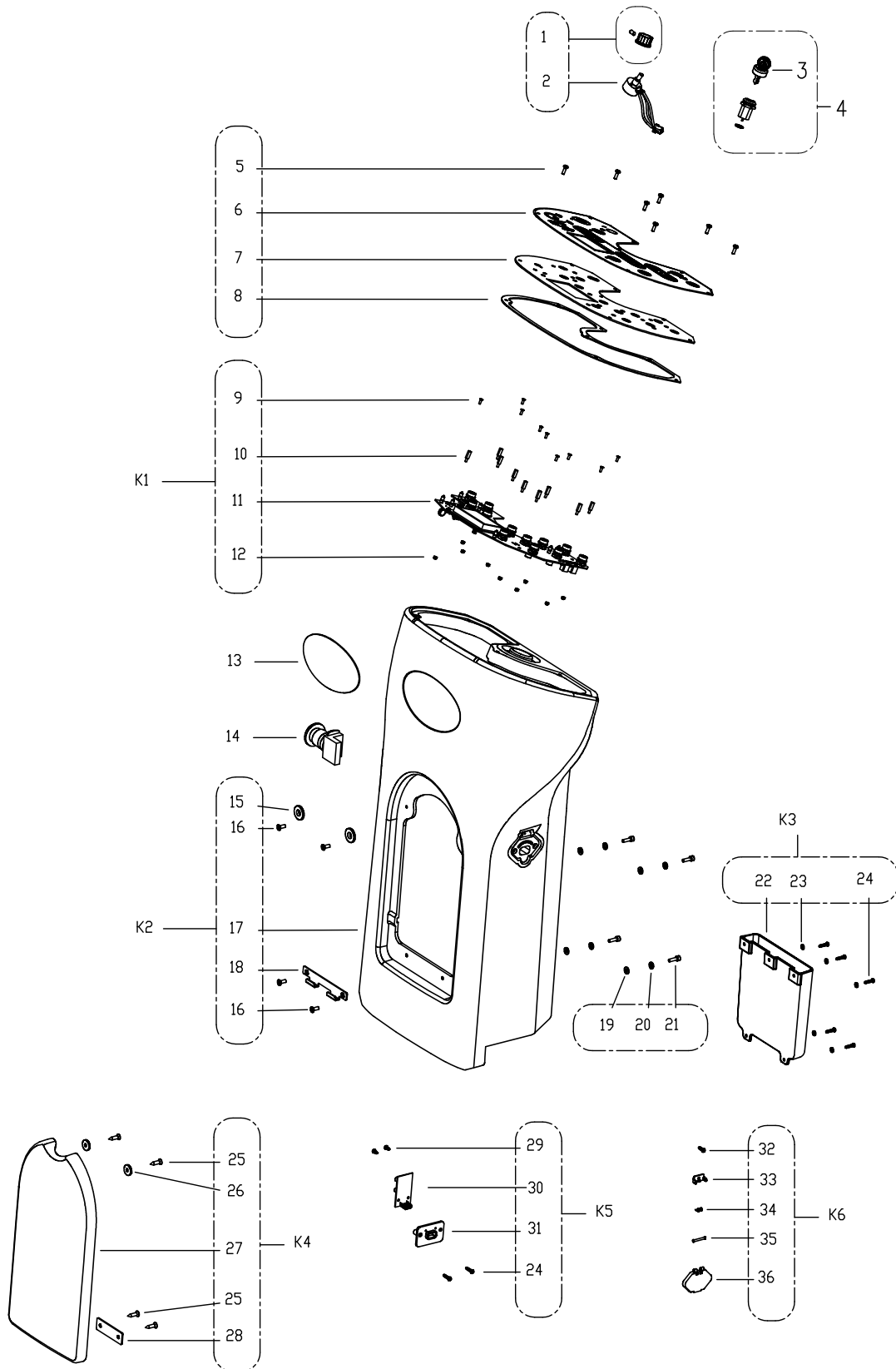
SQUEEGEE ASSEMBLY

AS1050R

2020.10.26

2020.12.16

Pos.	Product no	QTY	Description	Notes
1	VS13518	2	CONNECTING PIN	
2	VF13539	2	WASHER PLAIN M12 X M32 X 2	
3		1	PIN SQUEEGEE SWING	
4	VF14122	7	PLAIN WASHER DIAMETER 10X20X2	
5	VR41301	1	BRACKET SQUEEGEE SWING	
6		1	PIN SQGEE ACTUATOR Ø10X42	
7		1	ACTUATOR SQUEEGEE 36V 1000N	
8	VR41311	2	SPRING TENSION	
9		1	PIN SQGEE ACTUATOR Ø7.9X70	
10		2	BUSHING BRASS Ø10XØ8X6	
11		2	E-RING Ø6	
12	VF80355A	8	SHOULDER BOLT M10X16	
13		8	BUSHING BRASS Ø12XØ10.1X10.2	
14		4	ARM SQUEEGEE	
15	VF13524	14	WASHER PLAIN M8	
16	VF14516	12	NUT LOCK M5	
17	VF13519	2	WASHER LOCK M8	
18	VR41303	1	BRACKET SQUEEGEE ADJUST	
19	VF84228	2	SCREW SHOULDER M8	
20		1	BUSHING Ø8XØ10X4.5	
21		1	KNOB SCREW M8X75	
22	VF85103	1	SQUEEGEE SUPPORT PIN	
23	VR11413	2	KIT HDW AJDUSTMENT HANDLE	
24		2	SCREW HEX SOC HD Ø8X38XM6	
25		2	SPRING CASTER WHEEL	
26	VR41226	2	KNOB NUT M10 H28	
27	VR41304	1	PLATE SQUEEGEE CONNECTION	
28	VR41305	2	CASTER WHEEL 2INCH	
29	VR41232	2	KNOB NUT M10 H12	
30		4	NUT LOCK M6	
31	VR41315	2	BRACKET CASTER WHEEL	
32	VA13479	2	BOLT M6X30 HEX STAINLES	
33	VR41322	1	BLADE SQUEEGEE FRONT RUBBER	
	VR41322LX	1	BLADE SQUEEGEE FRONT LINATEX	
	VR41322PU	1	BLADE SQUEEGEE FRONT PU	
	VR41342LX	1	BLADE SQUEEGEE FRONT LINATEX DUAL VAC	
34	VF85420	2	THUMB SCREW	
35	VR41321	1	SQUEEGEE HOUSING AL	
36	VR41323	1	BLADE SQUEEGEE REAR RUBBER	
	VR41323LX	1	BLADE SQUEEGEE REAR LINATEX	
	VR41323PU	1	BLADE SQUEEGEE REAR PU	
37	VR41333	1	STRAP SQUEEGEE REAR	
38		2	SCREW HEX M8X70	
39	VR41328	1	COVER SQUEEGEE PLASTIC	
40	VF13650	6	SCREW M4X10	
41	VR36012	2	NUT THUMB SQUEEGEE FIXING	
42	VR41326	2	SLEEVE TAPER BRASS	
43	VR41325	1	STRAP SQUEEGEE FRONT	
44	VF13635	2	SCREW M8 X 50	
45	VR14404	2	ROLLER BUMPER	
46	VR16004	2	BUSHING BRASS	
K1	VR41334	1	PIN SQUEEGEE SWING KIT	
K2	VR41335	4	ARM SQUEEGEE LIFT FRONT KIT	
K3	VR41336	1	ACTUATOR SQUEEGEE KIT	
K4	VR41337	1	ADJUST SQUEEGEE SCREW KIT	
K5	VR41338	4	ARM SQUEEGEE LIFT REAR KIT	
K6	VR41339	1	PLATE SQUEEGEE CONNECTION KIT	
K7	VR41340	1	BRACKET SQUEEGEE KIT	
K8	VR41341	1	SQUEEGEE KIT L1130MM / 44.5INCHES	



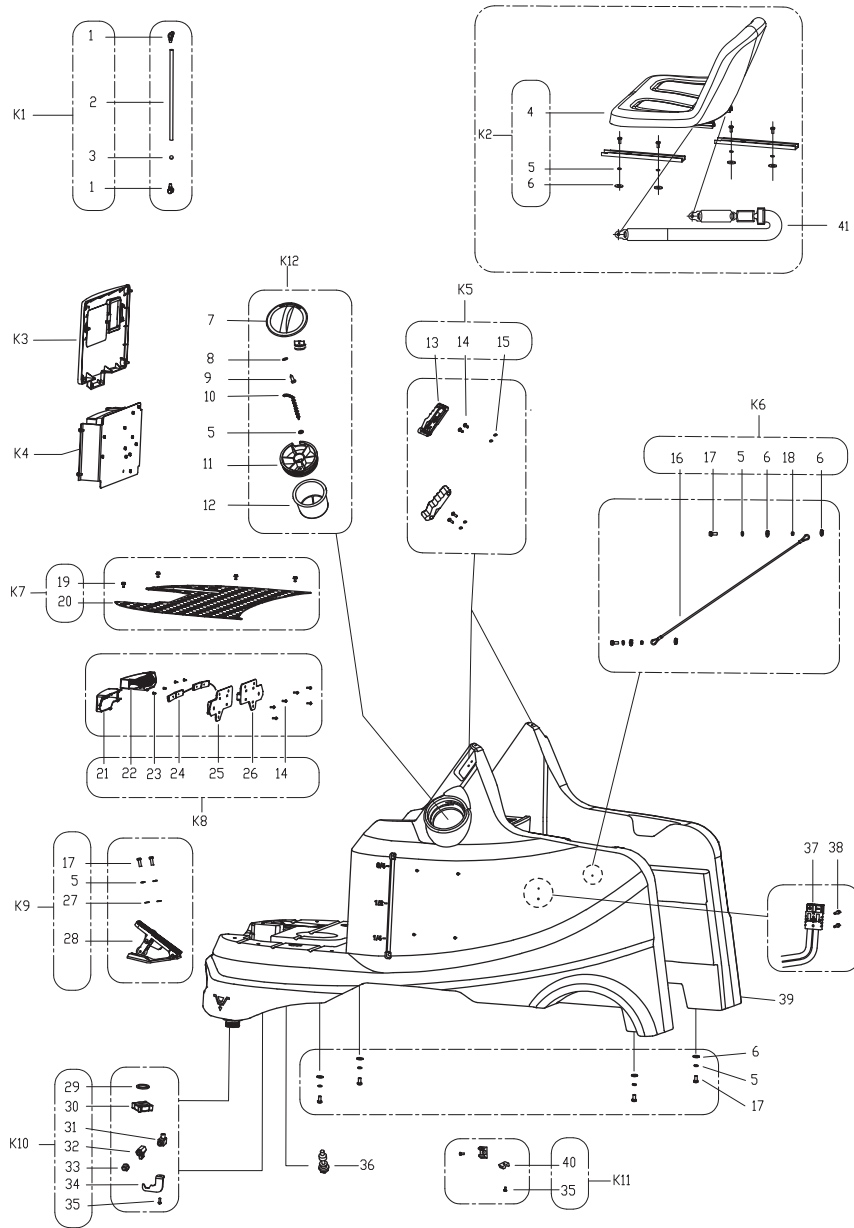
CONTROL HOUSING ASSEMBLY

AS1050R

2020.10.26

2020.11.16

Pos.	Product no	QTY	Description	Notes
1	VF81730	1	KNOB SPEED CONTROL	
2	VR41921	1	COMPONENT POTENTIOMETER	
3	146 2887 000	1	KEY 2 PCS	
4	9100001354	1	SWITCH KEY WITH CAP PKD	
5	VV13650A	7	SCREW M4X10	
6	VR41406	1	STICKER PANEL	
7	VR41407	1	BRACKET PANEL	
8	VR41421	1	GASKET PANEL EVA	
9		9	SCREW C/SUNK HD M3X8	
10		9	COLUMN SPACER PCB	
11		1	PCB MAIN CONTROL	
12		9	NUT LOCK M3	
13		1	LABEL LOGO	
14	VR41933	1	EMERGENCY SWITCH	
15		2	WASHER PLAIN C/SUNK HD	
16		4	SCREW C/SUNK HD M5X10	
17		1	HOUSING CONTROL	
18	VR41417	1	SUPPORT BRACKET COVER	
19	VF13614	4	WASHER PLAIN M6	
20	VV13607	4	WASHER LOCK M6	
21	VF13498	4	SCREW M6X20	
22		1	BAG MOBILE PHONE	
23	VV13664	5	WASHER PLAIN DIA.4	
24	VA13477	7	ST4.2X16	
25		4	SCREW SELF TAPPING ST5X12	
26		2	MAGNET	
27		1	COVER CONTROL HOUSING	
28		1	PLATE LIMITED COVER	
29		2	SCREW SELF TAPPING PH M3 X 11	
30		1	PCB USB	
31		1	PLATE USB FIXED	
32		1	SCREW SELF TAPPING PH ST3X8	
33		1	USB BRIDGE	
34		1	SPRING TORSION	
35		1	SHAFT	
36		1	COVER POWER SUPPLY	
K1	VR41423	1	PCB MAIN CONTROL KIT	
K2	VR41424	1	CONTROL HOUSING KIT	
K3	VR34050	1	KIT PHONE STORAGE	
K4	VR41425	1	COVER CONTROL HOUSING KIT	
K5	VR41426	1	PCB USB KIT	
K6	VR15200	1	KIT USB PROOFWATER	



SOLUTION TANK ASSEMBLY

AS1050R

2021.06.08

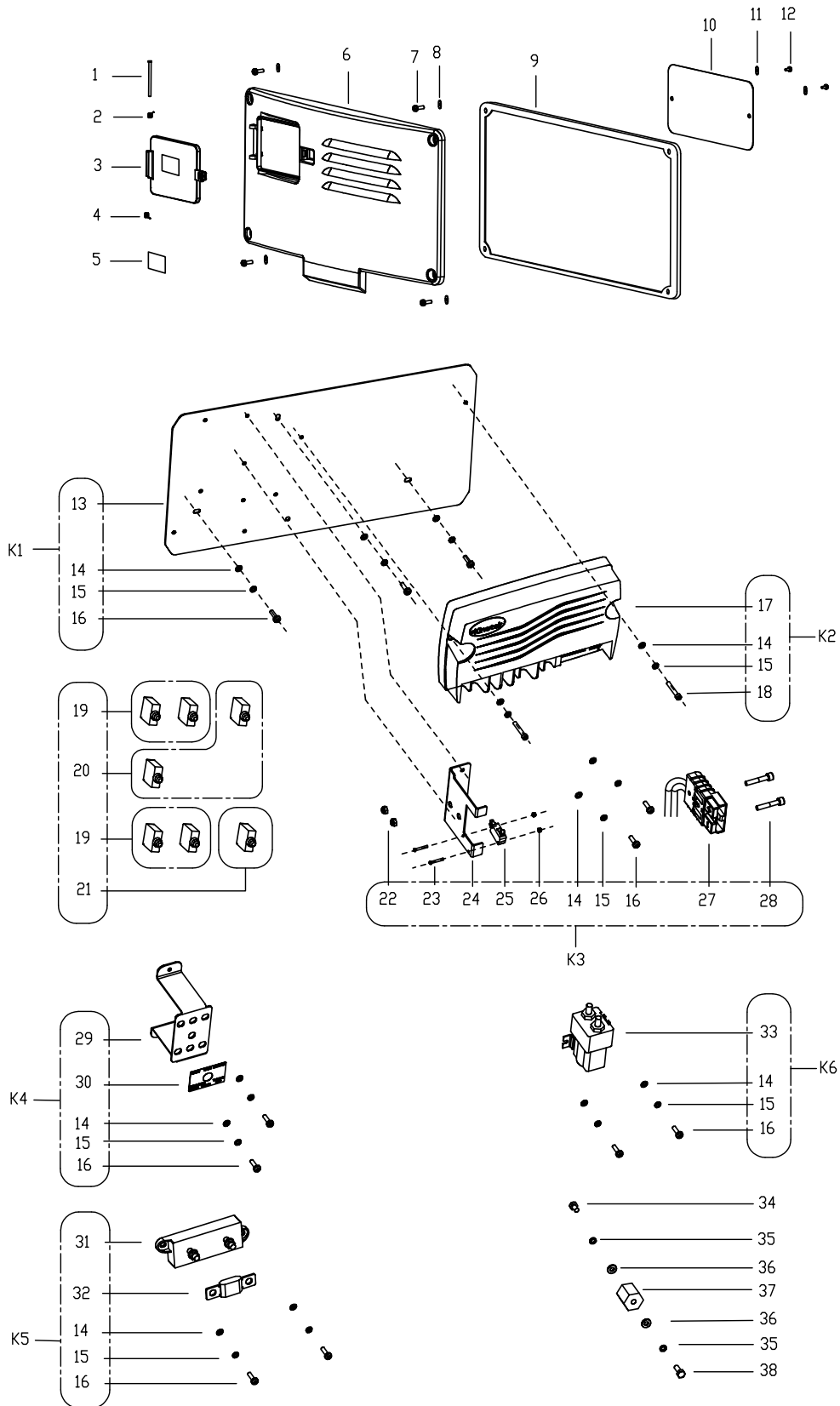
2021.06.08

Pos.	Product no	QTY	Description	Notes
1	RD60764	2	ELBOW HOSE BARB	
2		1	WATER LEVEL HOSE SOLUTION	
3	VF90613	1	FLOATING BALL OF WATER LEVEL	
4		1	SEAT WITH SAFETY SWITCH KIT	
5	VF13519	13	WASHER LOCK M8	[1]
6	VF13524	10	WASHER PLAIN M8	
7	VR41520	1	COVER FILTER	[1]
8	VV13664	1	WASHER PLAIN DIA.4	[1]
9	VF90616	1	SCREW TA3.5X12	[1]
10	VR41516	1	CHAIN SS	[1]
11	VR41518	1	HOLDER TUBE	[1]
12	VR41519	1	SUPPORT FILTER	
13		2	LATCH	
14	VV13650A	10	SCREW M4X10	
15		4	WASHER SPRING Ø4	
16	VR41509	1	CABLE RECOVERY TANK TURNING	
17	VA13491	8	SCREW M8 X 25	
18		2	SLEEVE Ø8.1XØ10.2X4.5	
19		4	SCREW WITH WASHER M5X10	
20		1	PLATE ANTI-SKID	
21		1	COVER LED LAMP LEFT	
22		1	COVER LED LAMP RIGHT	
23		4	SCREW SELF TAPPING PH ST3X8	
24	VR41930	1	LED LIGHT	
25		1	HOLDER LED LAMP LEFT	
26		1	HOLDER LED LAMP RIGHT	
27	VF13514A	2	WASHER PLAIN M8 X M16.5 X 1	
28		1	SPEED CONTROL PEDAL	
29	VF90513	1	OUTLET O-RING	
30	VF90507	1	OUTLET COVER	
31	VF90609	1	ELBOW BRASS	
32	VF80361	1	BALL VALVE	
33	VF80313	1	HOSE BARB	
34		1	BRACKET SHUT-OFF VALVE	
35		3	SCREW PH M5X12	
36	VR41952	1	SWITCH SOLUTION TANK EMPTY	
37		1	BATTERY WIRE KIT	
38	VF13633	2	SCREW M6 X 35	
39	VR41515	1	SOLUTION TANK 200L GREY DARK	
40		2	WIRE CLAMP	
41	VR41537	1	SEAT BELT KIT 1.3M	
K1	VR41540	1	WATER LEVEL PIPE KIT	
K2	VR41541	1	SEAT WITH SAFETY SWITCH KIT	
K3	VR41542	1	LID ELECTRIC BOX KIT	
K4	VR41543	1	ELECTRIC CONTROL KIT	
K5	VR41545	2	LATCH KIT	
K6	VR41546	1	TANK TRUNING CABLE KIT	
K7	VR41547	1	ANTI-SKID PLATE KIT	
K8	VR41548	1	LED LIGHT KIT	
K9	VR13002	1	ACCELERATOR PEDAL	
K10	VR17604	1	KIT WATER ADJUSTMENT	
K11	VR41560	1	WIRE CLAMP KIT	
K12	VR41544	1	FILLING PORT KIT	[2]

Part Notes:

- [1] - TSB-FC-2021-010 new filling port AS1050R
TSB-FC-2021-010 AS1050 modifié

- [2] - TSB-FC-2021-010 new filling port AS1050R
DE TSB-FC-2021-010 AS1050R neuer Füllanschluss für Frischwassertank
TSB-FC-2021-010 AS1050 modifié



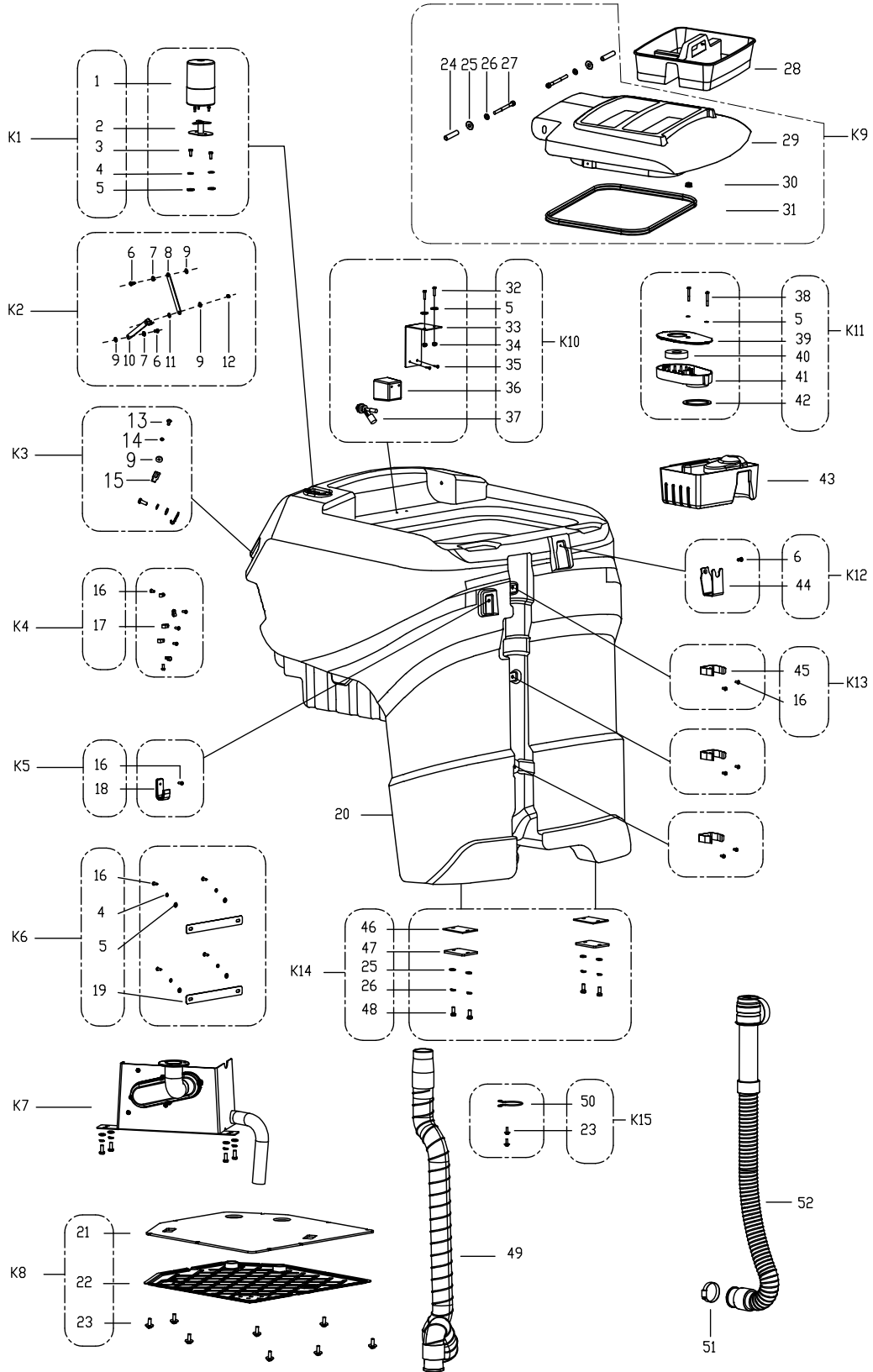
Pos.	Product no	QTY	Description	Notes
1	VR31063	1	TRANSPARENT LID PIN	
2	VR13106	1	TORSIONAL SPRING	
3	VR31008	1	TRANSPARENT LID	
4	VR13104	1	TORSIONAL SPRING	
5		1	LABEL CHARGING SOCKET	
6	VR41506	1	LID MAIN CONTROLLER	
7	VA13474	4	SCREW M5 X 16	
8	VF13532	4	WASHER PLAIN M5	
9	VR41536	1	GASKET EVA	
10	VR41508	1	BOARD WATERPROOF	
11	VF13533	2	WASHER PLAIN M6 X M16 X 2	
12	VA50527	2	SCREW PH ST3.5X8	
13		1	PLATE ELECTRIC PARTS FIXED	
14		13	WASHER PLAIN Ø5XØ10X1	
15	VV13601	13	WASHER LOCK M5	
16		11	SCREW PH M5X12	
17		1	MAIN CONTROLLER	
18		2	SCREW PH M5X30	
19	VR41912	4	CIRCUIT BREAKER 30A	
20	VR37039	2	BREAKER 3 AMP	
21	VF90747	1	CIRCUIT BREAKER	
22		2	NUT LOCK M6	
23	VF14244	2	SCREW M3 X 20	
24	VR41531	1	PLATE CHARGING SOCKET FIXED	
25	VF85507	1	MICO-SWITCH	
26		2	NUT LOCK M3	
27	VR41940	1	CHARGING CONNECTOR 175A GREY	
28	VF13633	2	SCREW M6 X 35	
29		1	BRACKET FUSE	
30		1	LABEL FUSE	
31	VS14214	1	HOLDER FUSE	
32	VR41915	1	FUSE 200A/DC 70V	
33		1	DC CONTACTOR SW80-999P 24V 125A	
34	VF14232	1	HEX SCREW M6X10	
35	VV13607	2	WASHER LOCK M6	
36	VF13533	2	WASHER PLAIN M6 X M16 X 2	
37	VR13449	1	CONNECT WIRE POLE	
38	VF13495	1	SCREW HEX M6 X 16	
K1	VR41563	1	ELECTRIC PARTS FIXED PLATE KIT	
K2	VR41564	1	MAIN CONTROLLER KIT	
K3	VR41556	1	CHARGING SOCKET FIXED KIT	
K4	VR41557	1	FIXED BRACKET KIT	
K5	VR41558	1	FUSE KIT	
K6	VR41559	1	DC CONTACTOR KIT	

RECOVERY TANK ASSEMBLY

AS1050R

2020.10.26

2020.11.27



RECOVERY TANK ASSEMBLY

AS1050R

2020.10.26

2020.11.27

Pos.	Product no	QTY	Description	Notes
1		1	WARNING LIGHT	
2		1	BRACKET WARNING LIGHT	
3	VF14230	2	HEXAGON BOLT M5 X 16	
4	VV13601	6	WASHER LOCK M5	
5		10	WASHER PLAIN Ø5XØ10X1	
6	VV13605	3	SCREW FLAT M6 X 16	
7		2	SLEEVE Ø16x5	
8		1	SUPPORT TANK LID TURNING UPPER	
9	VF13614	3	WASHER PLAIN M6	
10		1	SUPPORT TANK LID TURNING LOWER	
11	VF13514	1	WASHER FLAT M8	
12		1	NUT LOCK M6	
13		2	SCREW M6X20	
14	VV13607	2	WASHER LOCK M6	
15		2	HOOK LATCH	
16		16	SCREW PH M5X12	
17		5	CLAMP BLACK	
18		1	HOOK PLASTIC	
19		2	PLATE HOSE FIXED	
20	VR41601	1	TANK RECOVERY 200L PLASTIC DARK GREY	
21		1	GASKET EVA	
22		1	COVER VACUUM MOTOR	
23		10	SCREW WITH WASHER M5X14	
24	VR41647	2	SLEEVE RECOVERY TANK LID TURNING	
25		6	WASHER PLAIN Ø8XØ20X2	
26		6	WASHER SPRING Ø8	
27		2	SCREW HEX SOC HD M8X75	
28*	VR41619	1	UTILITY CADDY	
29		1	LID RECOVERY TANK	
30	VF85127	1	CAP FOR KNOB	
31	VR41603	1	GASKET	
32	VV13635	2	SCREW PH M5 X 20	
33		1	FRAME WATER LEVEL SWITCH	
34	VF14514	2	NUT LOCK M5	
35		2	SCREW SELF TAPPING C/SUNK ST4X14	
36		1	COVER WATER LEVEL SWITCH	
37	VR41928	1	SWITCH WATER LEVEL	
38	VA13476	2	SCREW M5X40	
39		1	COVER VACUUM INTAKE	
40		1	FILTER VACUUM MOTOR	
41		1	BASE VACUUM INTAKE	
42		1	GASKET VACUUM INTAKE	
43	VS14744	1	TRAY DEBRIS KIT	
44		1	HOOK SQUEEGEE	
45		3	CLAMP DRAIN HOSE	
46		2	SHOCK PAD EVA	
47		2	BRACKET FIXED RECOVERY TANK	
48	VA13491	4	SCREW M8 X 25	
49	VR41605	1	SUCTION HOSE ID 50	
50	VR32013	1	PIPE CLAMP	
51	VR41630	1	CLAMP 2INCH SS	
52	VR41620	1	DRAIN HOSE	
K1	VR41633	1	WARNING LIGHT KIT	
K2	VR41634	1	SUPPORT RECOVERY TANK TURNING KIT	
K3	VR41635	1	HOOK LATCH KIT	
K4	VR41636	1	WIRE CLAMP KIT	
K5	VR41637	1	HOOK PLASTIC KIT	
K6	VR41638	1	FIXED PLATE HOSE KIT	
K7		1	VACUUM ASSEMBLY	

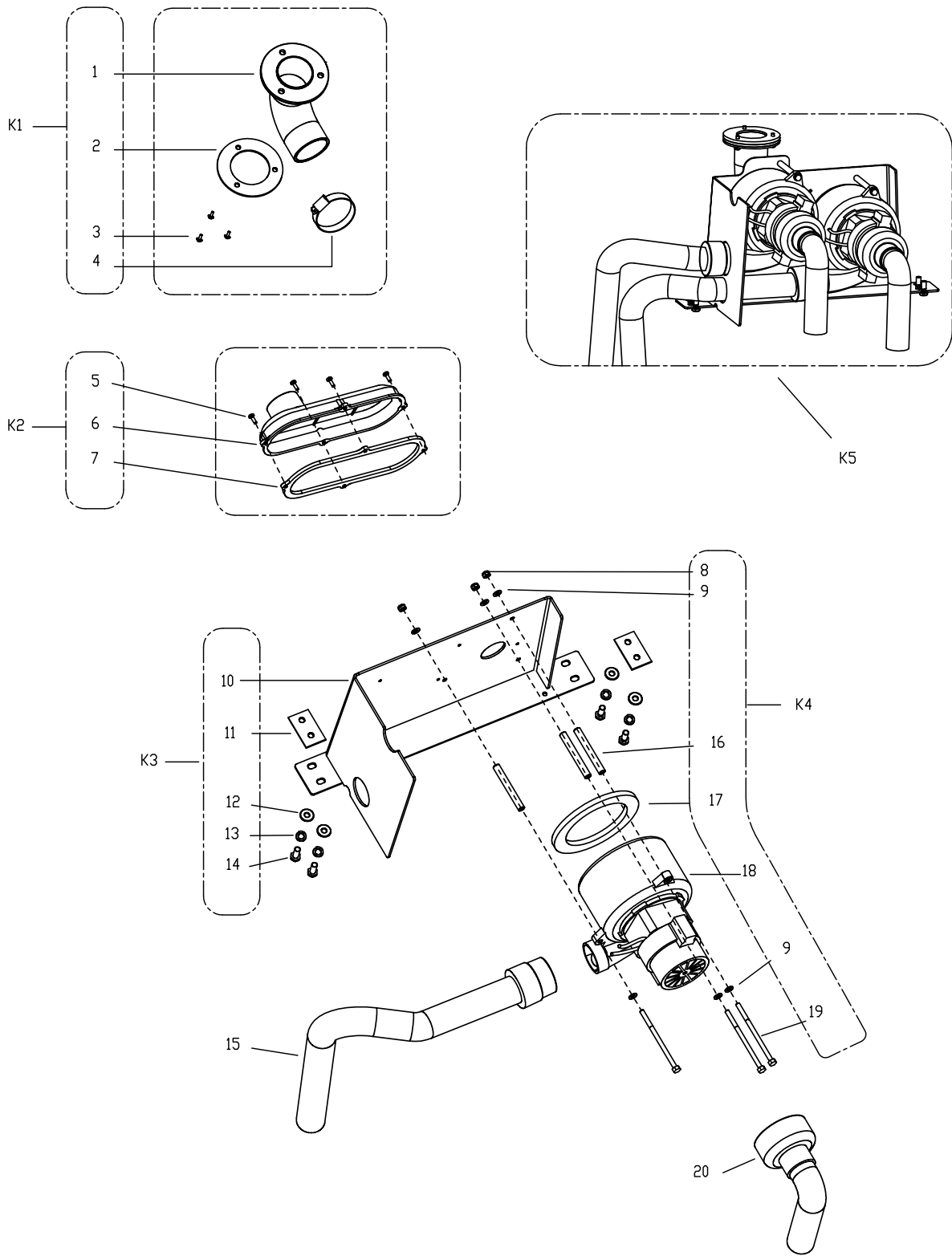
RECOVERY TANK ASSEMBLY

AS1050R

2020.10.26

2020.11.27

Pos.	Product no	QTY	Description	Notes
K8	VR41640	1	COVER VACUUM MOTOR KIT	
K9	VR41641	1	RECOVERY TANK LID ASSEMBLY	
K10	VR41657	1	RECOVERY TANK WATER LEVEL SWITCH KIT	
K11	VR41658	1	VACUUM MOTOR INTAKE KIT	
K12	VR17605	1	CLAMP KIT SQUEEGEE	
K13	VR41644	1	VACUUM HOSE CLAMP KIT	
K14	VR41645	1	FIXED BRACKET RECOVERY TANK KIT	
K15	VR32018	1	KIT VACUUM HOSE CLAMP	



VACUUM MOTOR ASSEMBLY

AS1050R

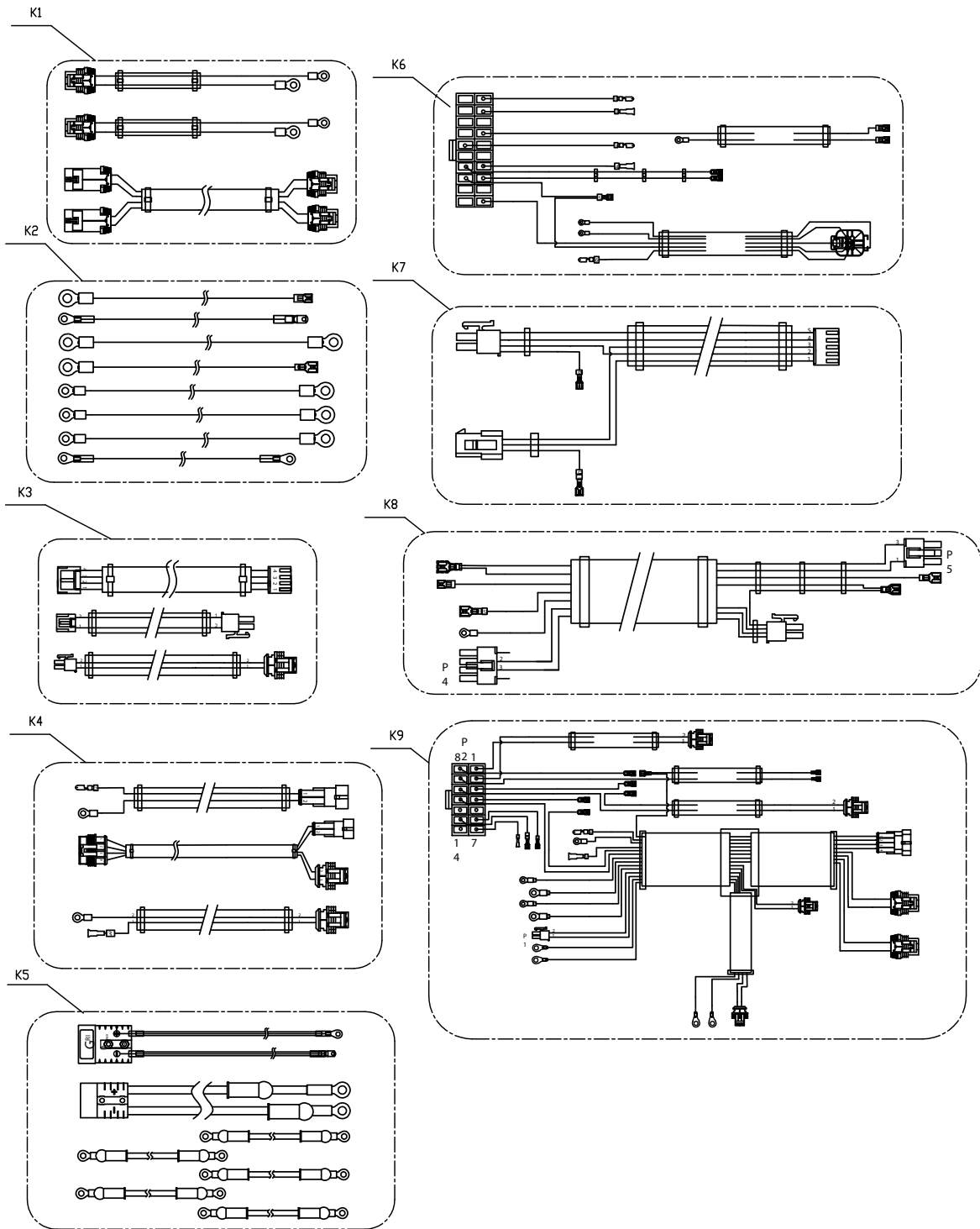
2020.10.26

2021.03.11

Pos.	Product no	QTY	Description	Notes
1		1	ELBOW RUBBER	
2		1	PLATE FIXED ELBOW RUBBER	
3		3	SCREW WITH WASHER M5X14	
4		1	CLAMP 2"	
5	VV13650A	4	SCREW M4X10	
6		1	BOX VACUUM SUCTION	
7		1	GASKET EVA	
8		3	NUT LOCK M6	
9	VF13533	6	WASHER PLAIN M6 X M16 X 2	
10		1	BRACKET VACUUM MOTOR	
11	VR41626	1	SHOCK PAD EVA	
12	VF13524	4	WASHER PLAIN M8	
13	VF13519	4	WASHER LOCK M8	
14	VA13491	4	SCREW M8 X 25	
15	VR41628	1	HOSE SILENCER VACUUM MOTOR	
16		3	SLEEVE	
17	VF86135	1	GASKET	
18	VR41904	1	VACUUM MOTOR 600W	
19		3	SCREW HEX M6X105 SS	
20	VR41618	1	HOSE HEAT DISSIPATION	
K1	VR41651	1	ELBOW RUBBER KIT	
K2	VR41652	1	VACUUM SUCTION BOX KIT	
K3	VR41655	1	BRACKET VACUUM MOTOR KIT	
K4	VR41653	1	VACUUM MOTOR KIT	
K5*	VR41654	1	DUAL VACUUM MOTOR KIT	[1]

Part Notes:

[1] - AS050R dual vacuum motor installation instruction



Pos.	Product no	QTY	Description	Notes
K1	VR41957	1	BRUSH AND VACUUM MOTOR HARNESS KIT	
K2	VR41958	1	CONTROL UNIT HARNESS KIT	
K3	VR41959	1	DASHBOARD HARNESS KIT	
K4	VR41960	1	SEAT SENSOR HARNESS KIT	
K5	VR41961	1	BATTERY HARNESS KIT	[1]
	VR41972	1	BATTERY HARNESS KIT TPPL	
K6	VR41917	1	WIRING HARNESS DRIVE PEDAL	
K7	VR41919	1	WIRING HARNESS PROXIMITY SENSOR	
K8	VR41920	1	WIRING HARNESS CAN COMMUNICATION	
K9	VR41918	1	MAIN WIRING HARNESS	[2]

Part Notes:

- [1] - Optional
- [2] - TSB-FC-2021-016 drive motor harness AS1050R
DE TSB-FC-2021-016 AS1050R Kabelbaum Fahrtrieb

WEAR AND TEAR PARTS

AS1050R

2013.04.23

2020.11.27

Pos.	Product no	QTY	Description	Notes
1	VR41147	2	SIDE BUMPER KIT	
2	VR41103	2	FRONT WHEEL	
3	VR41146	1	CHAIN 9.525 P	
4	VR41149	1	BRUSH ACTUATOR KIT	
5	VR41528	1	FILTER KIT	
6	VR41966	1	PUMP WATER 24V	
7	VR11600	1	VALVE	
8	VR41432	1	SPROCKET KIT	
9	VR34052	1	KIT BUZZER	
10	VR41116	2	DRIVE WHEEL	
11	VR41900	1	DRIVE MOTOR 36V 1100W	
12	VR41206	2	BLADE SCRUB DECK RUBBER	
	VR41206LX	2	BLADE SCRUB DECK LINATEX	
13	VR41903	2	BRUSH MOTOR 36V 750W	
14	VR41225	1	BRUSH PLATE LEFT KIT	
15	VR41214	1	BRUSH PLATE RIGHT KIT	
16	VF82056	2	POLY SCRUB BRUSH - FANG 20-20T	
17	VF82057	2	PAD DRIVER 19	
18	VR41305	2	CASTER WHEEL 2INCH	
19	VR41322	1	BLADE SQUEEGEE FRONT RUBBER	
	VR41322LX	1	BLADE SQUEEGEE FRONT LINATEX	
	VR41322PU	1	BLADE SQUEEGEE FRONT PU	
20	VR41323	1	BLADE SQUEEGEE REAR RUBBER	
	VR41323LX	1	BLADE SQUEEGEE REAR LINATEX	
	VR41323PU	1	BLADE SQUEEGEE REAR PU	
21	VR14404	2	ROLLER BUMPER	
22	VR41326	2	SLEEVE TAPER BRASS	
23	9100001354	1	SWITCH KEY WITH CAP PKD	
24	VR41921	1	COMPONENT POTENTIOMETER	
25	VR41423	1	PCB MAIN CONTROL KIT	
26	VR41952	1	SWITCH SOLUTION TANK EMPTY	
27	VR41545	2	LATCH KIT	
28	VF85507	1	MICO-SWITCH	
29	VR41564	1	MAIN CONTROLLER KIT	
30	VR41559	1	DC CONTACTOR KIT	
31	VR41928	1	SWITCH WATER LEVEL	
32	VS14744	1	TRAY DEBRIS KIT	
33	VR41605	1	SUCTION HOSE ID 50	
34	VR41620	1	DRAIN HOSE	
35	VR41653	1	VACUUM MOTOR KIT	
36	VR41912	4	CIRCUIT BREAKER 30A	
37	VR37039	2	BREAKER 3 AMP	
38	VF90747	1	CIRCUIT BREAKER	

