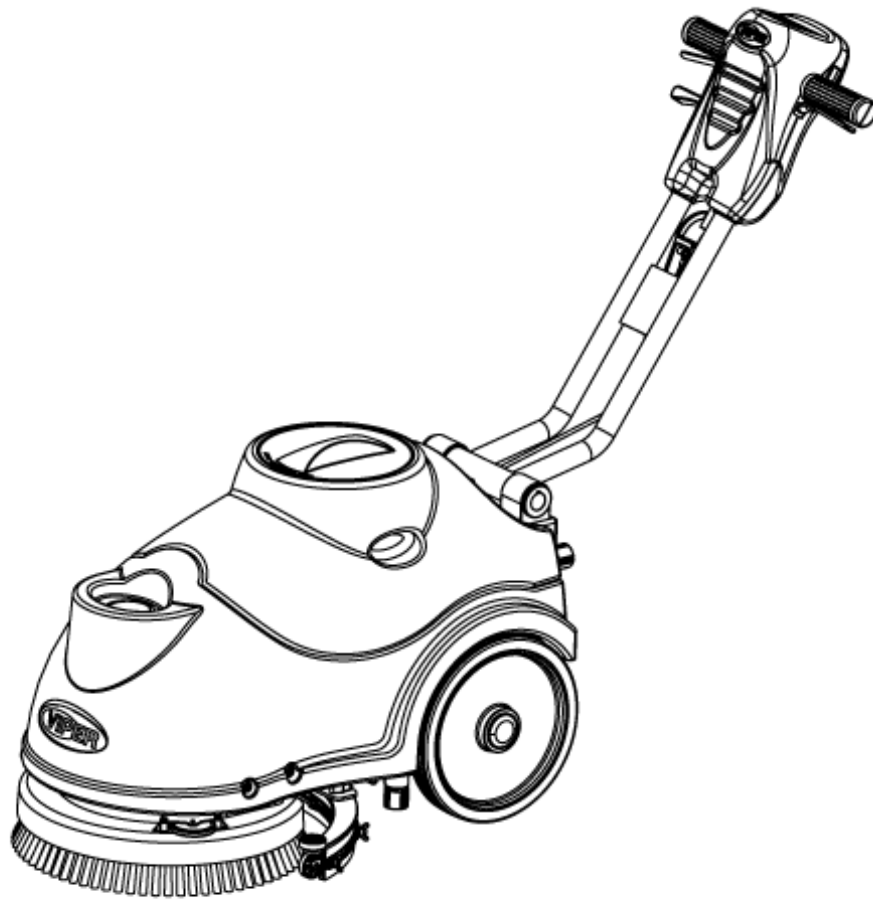


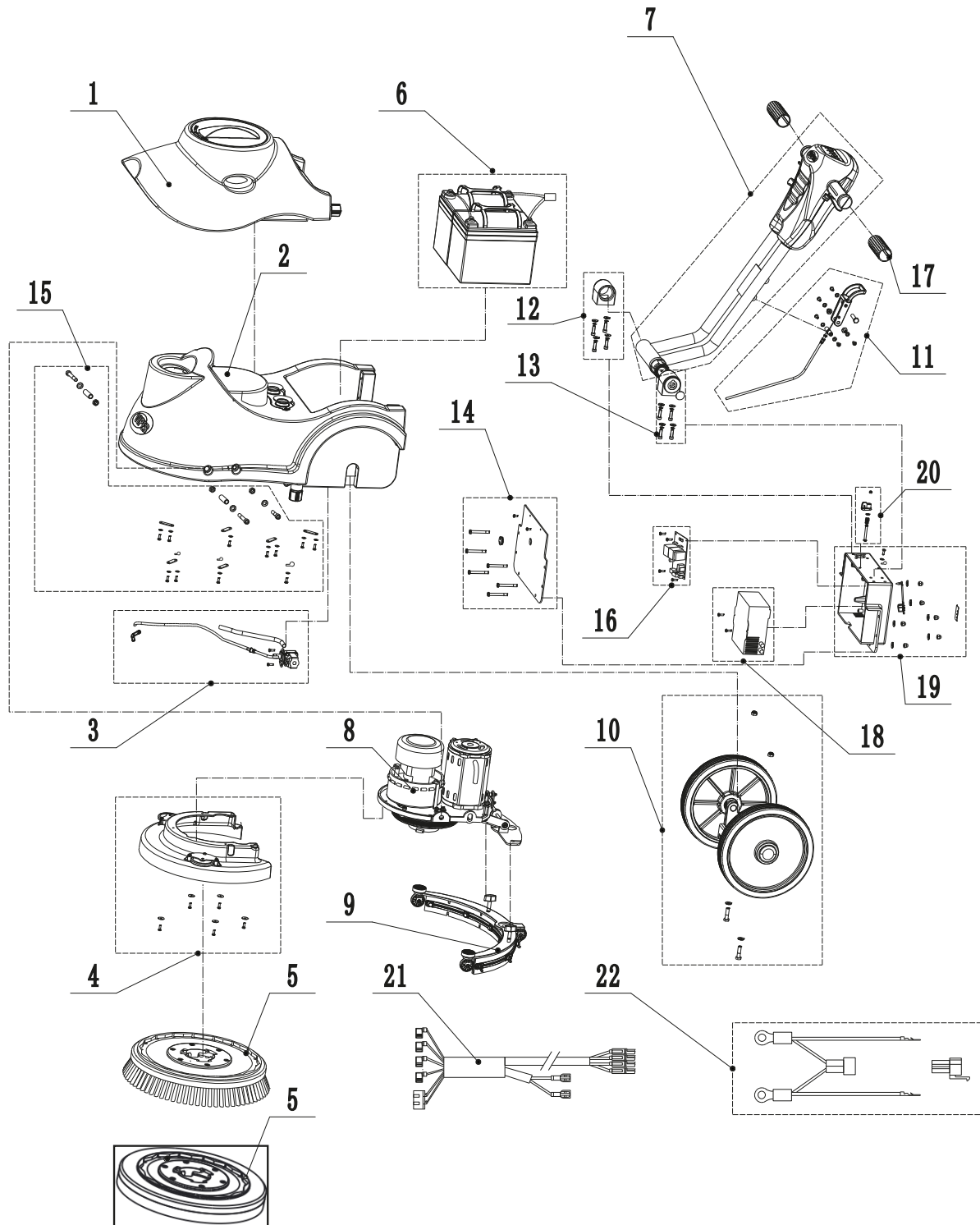
PARTS LIST



2018.05.01

TABLE OF CONTENTS

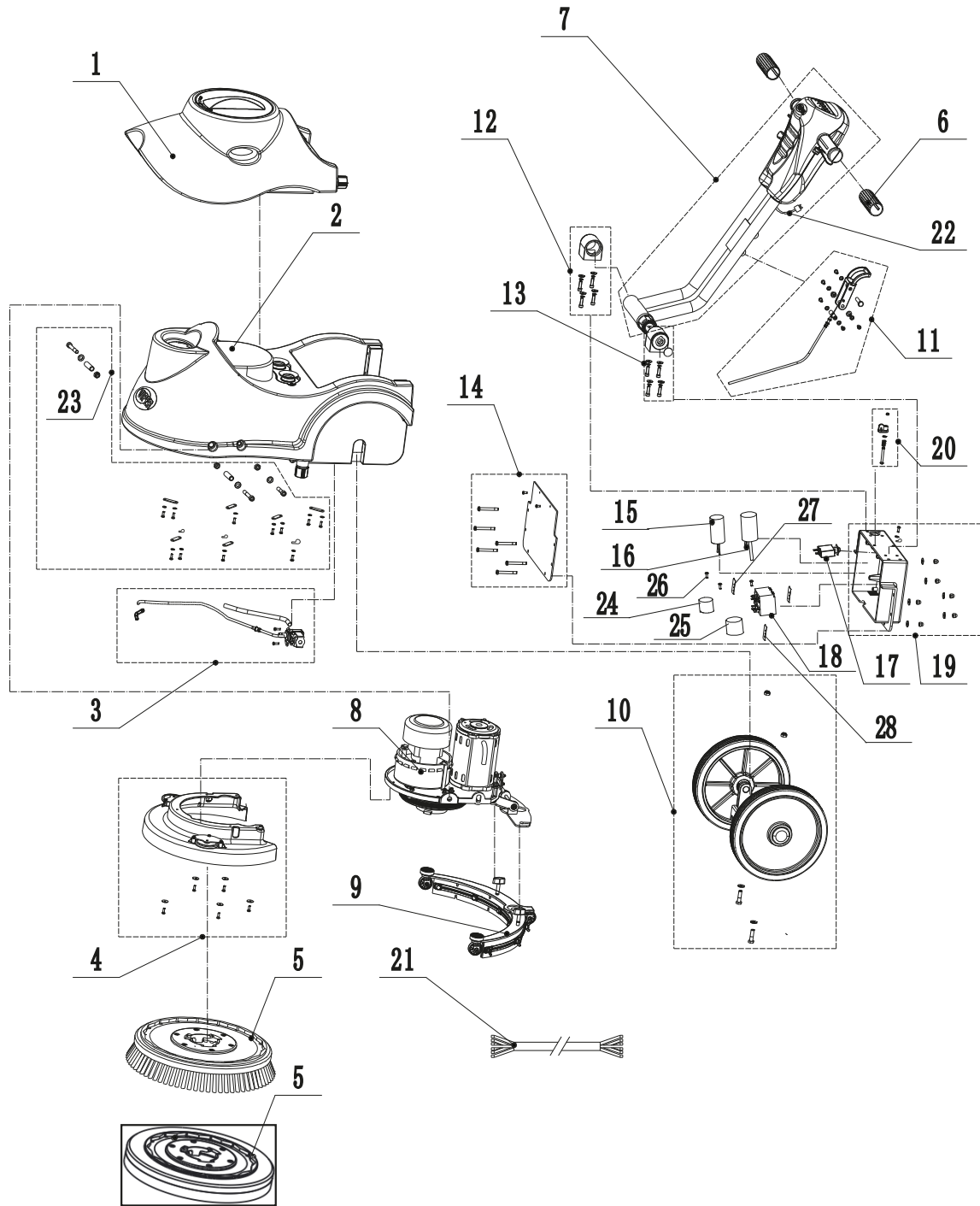
OVERVIEW 15B.....	1
OVERVIEW 15C.....	3
SOLUTION TANK.....	5
MOTOR FIXING PLATE.....	7
BRUSH.....	9
HANDLE CONTROL 15B.....	11
HANDLE CONTROL 15C.....	13
RECOVERY TANK.....	15
SQUEEGEE.....	17
WEAR AND TEAR PARTS.....	19



Pos.	Product no	QTY	Description	Notes
1	VF89827	1	KIT RECOVERY TANK 15L	[1]
2	VF89100	1	KIT SOLUTION TANK	
3	VF89844	1	KIT SOLENOID VALVE	[2]
3	VF89033A	1	KIT SOLENOID WALVE 24V	[3]
4	VF89400	1	BRUSH SKIRT ASSEMBLY	
5	VF89830	1	BRUSH 15INCH PLASTIC	[4]
5	VF89817	1	PAD DRIVER FOR FANG 15B	[4]
6	VF89039	1	KIT BATTERY 24V AGM	[5]
7	VF89600	1	KIT HANDLE ASSEMBLY	
8	VF89835	1	KIT MOUNTING PLATE MOTOR	
9	VF89821	1	KIT SQUEEGEE ALUMINUM	
10	VF89200	1	KIT WHEEL AXLE	
11	VF89007A	1	KIT LIFT CABLE SQUEEGEE	[6]
11	VF89007B	1	LIFTING CABLE KIT	[7]
12	VF89002A	1	KIT FIXING BLOCK RIGHT	
13	VF89001A	1	KIT FIXING BLOCK LEFT	
14	VF89006A	1	COVER HOUSING CIRCUIT	
15	VF89303A	1	KIT WASHER SCREW	
16	VF89025A	1	KIT MAIN CONTROL CIRCUIT	
17	VF89012	1	HANDLE GRIP RUBBER	
18	VF89023UK	1	KIT CHARGER 24VDC	
18	VF89023EU	1	KIT CHARGER 24VDC	
19	VF89003A	1	KIT CIRCUIT BOX ALUMINUM	
20	VF89004A	1	KIT LOCK RECOVERY TANK	
21	VF89026	1	MOTOR WIRE	
22	VF89022	1	MAIN POWER WIRE	

Part Notes:

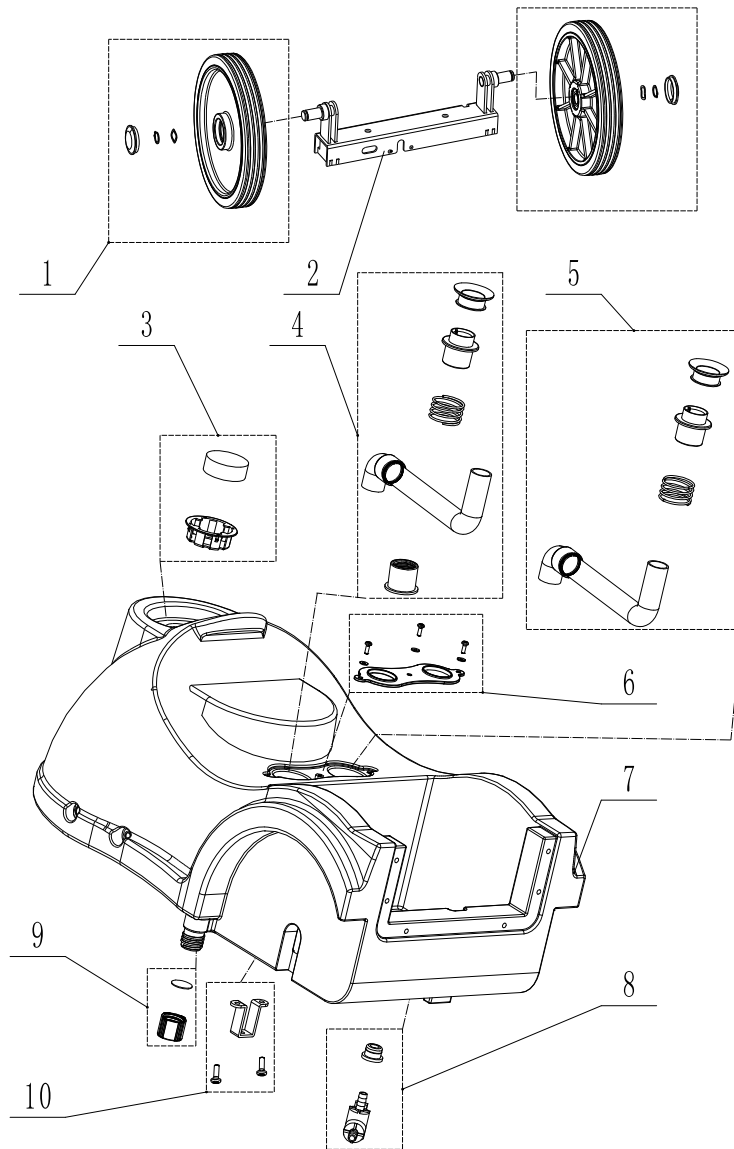
- [1] - TSB 2014-005 AS380 FANG15 Vacuum improvement
- [2] - After May/30/2014
- [3] - Before May/30/2014
- [4] - TSB 2014-004 AS380 FANG15 Water splash
- [5] - PRUNED - NO REPLACEMENT
- [6] - Before Dec/12/2013
- [7] - After Dec/12/2013



Pos.	Product no	QTY	Description	Notes
1	VF89827	1	KIT RECOVERY TANK 15L	[1]
2	VF89100	1	KIT SOLUTION TANK	
3	VF89033B	1	KIT SOLENOID WALVE 220V	[2]
3	VF89845	1	KIT SOLENOID VALVE 220V	[3]
4	VF89400	1	BRUSH SKIRT ASSEMBLY	
5	VF89817	1	PAD DRIVER FOR FANG 15B	[4]
5	VF89830	1	BRUSH 15INCH PLASTIC	[4]
6	VF89012	2	HANDLE GRIP RUBBER	
7	VF89600D	1	HANDLE ASSEMBLY	
7	VF89600C	1	KIT HANDLE ASSEMBLY	
7	VF89877	1	HANDLE ASSEMBLY AU VERSION	
8	VF89833	1		
9	VF89821	1	KIT SQUEEGEE ALUMINUM	
10	VF89200	1	KIT WHEEL AXLE	
11	VF89007A	1	KIT LIFT CABLE SQUEEGEE	[5]
11	VF89007B	1	LIFTING CABLE KIT	[6]
12	VF89002A	1	KIT FIXING BLOCK RIGHT	
13	VF89001A	1	KIT FIXING BLOCK LEFT	
14	VF89006B	1	CIRCUIT COVER PLATE	
15	VF89041-1	1	RUN CAPACITOR	
16	VF89041-2	1	START CAPACITOR	
17	VF89040	1	BREAKER CIRCUIT 6AMP	
18	VF89041-3	1	RELAY FLA 16A 277V 50HZ	
19	VF89003B	1	KIT CIRCUIT BOX	
20	VF89004A	1	KIT LOCK RECOVERY TANK	
21	VF89044C	1	WIRE HARNESS MOTOR	
22	VF89043-EU	1	POWER CORD	
22	VF89043-UK	1	CABLE	
22	VF89861	1	POWER CORD WITH AU PLUG	
23	VF89303A	1	KIT WASHER SCREW	
24	VF72127	1	HOLDER FOR START SWITCH	
25	VF72124	1	HOLDER BIG CAPACITOR	
26	VA13472	3	SCREW SELF TAPPING M4 X 8	
27	VF89072	1	FIXING EVA	
28	VF89071	2	FIXING EVA	

Part Notes:

- [1] - TSB 2014-005 AS380 FANG15 Vacuum improvement
- [2] - Before May/30/2014
- [3] - After May/30/2014
- [4] - TSB 2014-004 AS380 FANG15 Water splash
- [5] - Before Dec/12/2013
- [6] - After Dec/12/2013



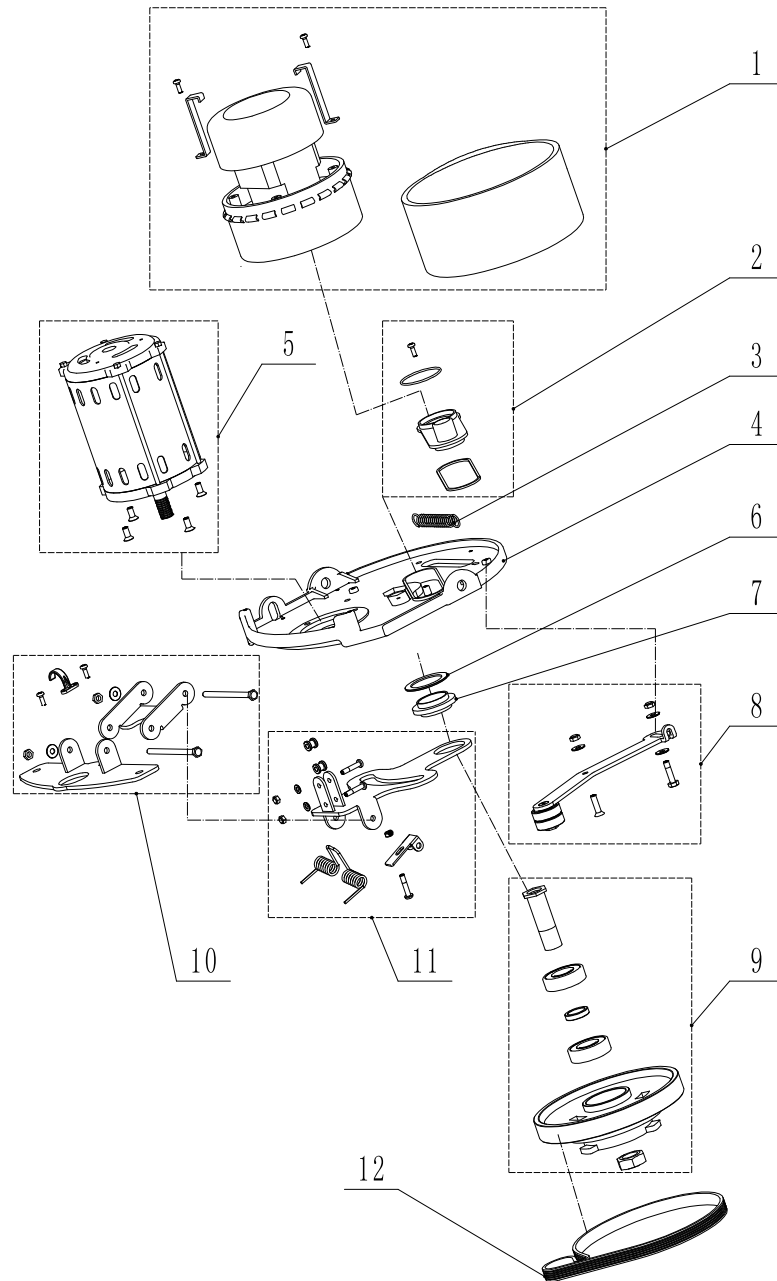
SOLUTION TANK

AS380/15

2017.11.02

2016.08.09

Pos.	Product no	QTY	Description	Notes
1	VF89202A	2	KIT WHEEL 10 INCH PLASTIC	
2	VF89201	1	WHEEL AXLE	
3	VF89113A	1	KIT FILTER WATER IN-LET	
4	VF89105B	1	HOSE CONNECT SQUEEGEE	
5	VF89104A	1	KIT VACUUM HOSE PLASTIC	
6	VF89106A	1	KIT FIXING PLATE HOSE PLASTIC	
7	VF89101A	1	KIT SOLUTION TANK 15L LLDPE	
8	VF89111	1	KIT SOLUTION CONTROL	
9	VF89110A	1	KIT DRAIN WATER	
10	VF89112A	1	CABLE LIFT FIXING	



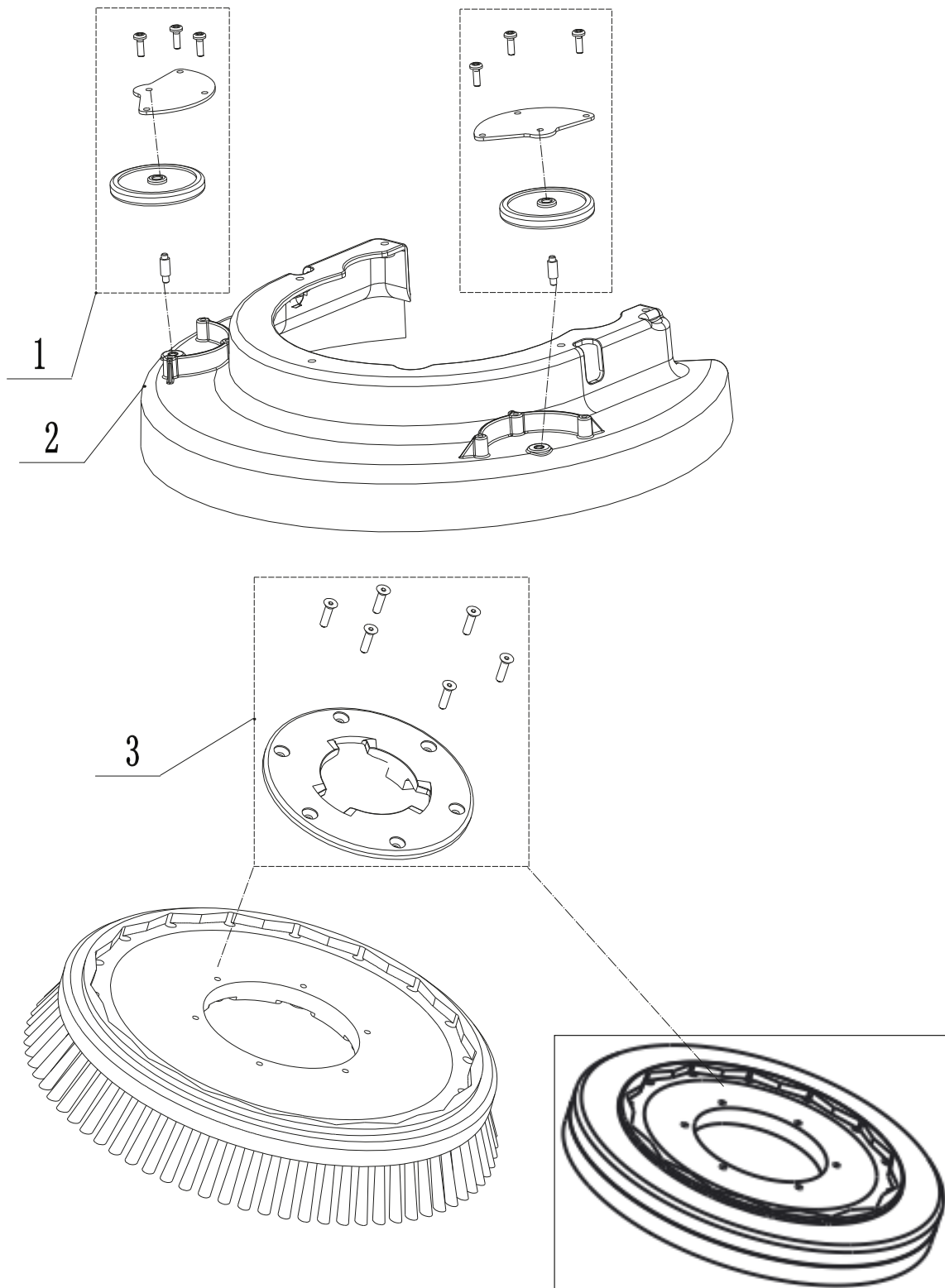
MOTOR FIXING PLATE

AS380/15

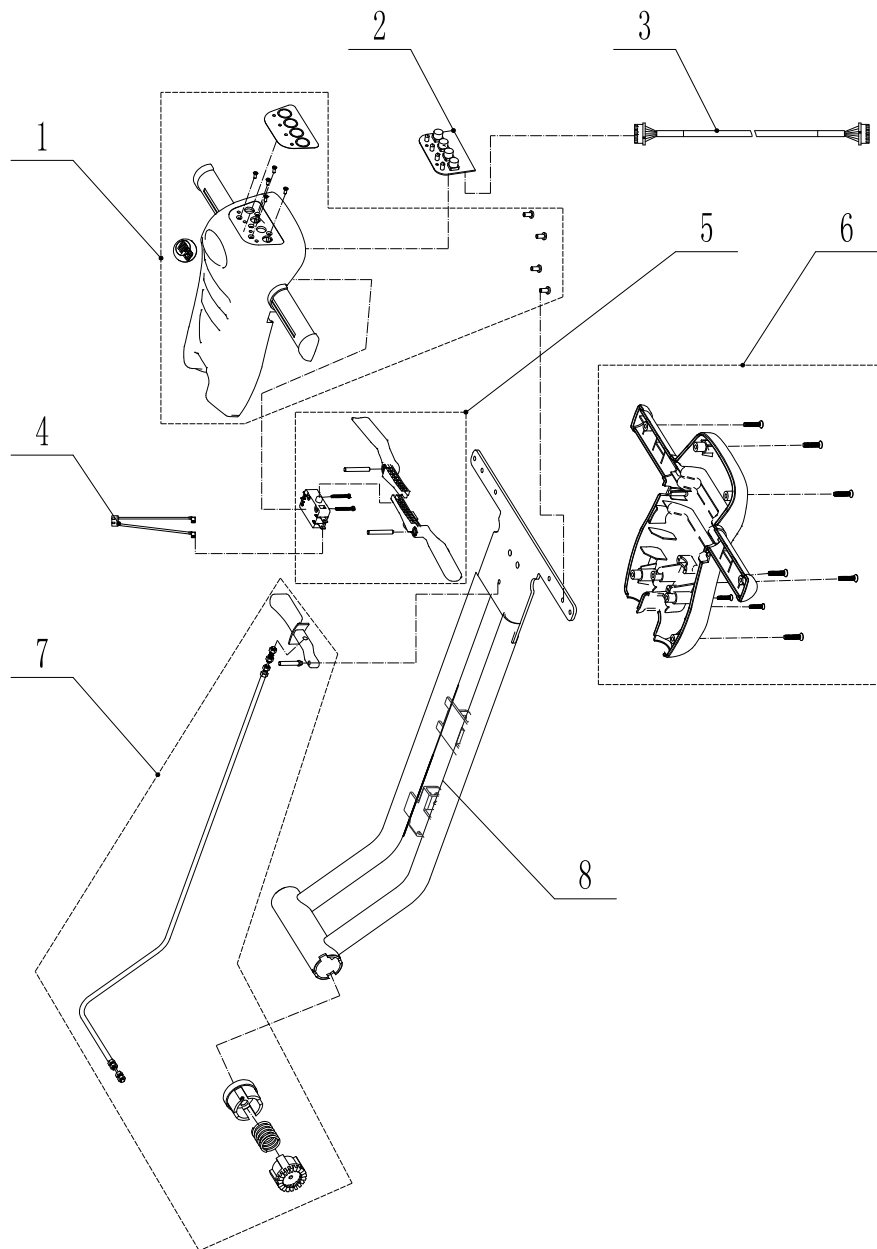
2017.11.02

2016.08.09

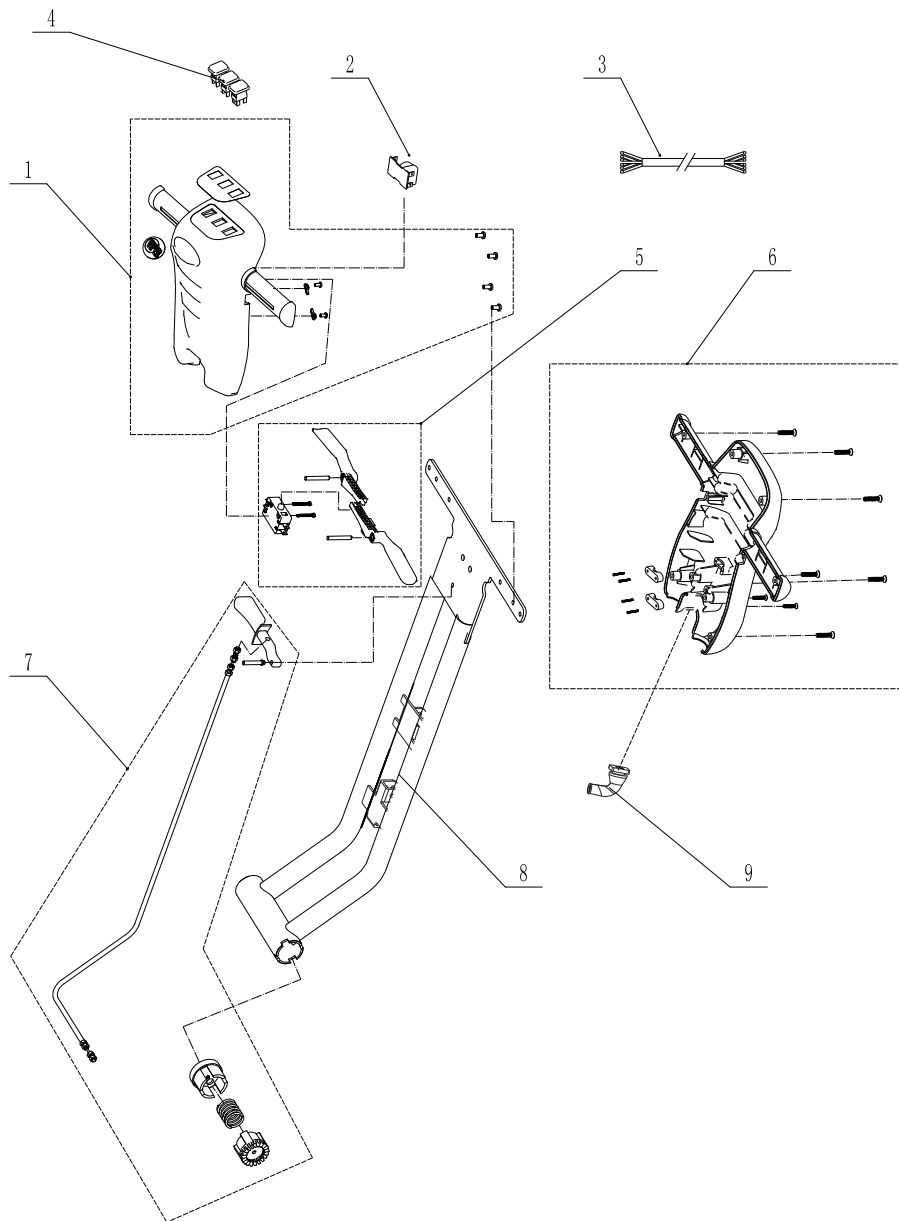
Pos.	Product no	QTY	Description	Notes
1B	VF89309B	1	KIT VACCUM MOTOR 24V	
1C	VF89309C	1	KIT VACCUM MOTOR	
2	VF89306A	1	KIT VACUUM SEALING	
3	VF89318	1	SPRING 65MN	
4	VF89301	1	PLATE MOTOR MOUNT	
5B	VF89302B	1	KIT BRUSH MOTOR 24V 250W	
5C	VF89041C	1	KIT BRUSH MOTOR	
6	VF89311	1	WASHER SST 50x1.5MM	
7	VF89319	1	BUSHING SQUEEGEE ROTATE	
8	VF89314A	1	KIT BELT ADJUSTING HARDWARE	
9	VF89321A	1	KIT PULLEY BELT	
10	VF89324A	1	KIT BRACKET SQUEEGEE LIFT	
11	VF89836	1	PIVOT PLATE	
12	VF89323	1	DRIVE BELT PJ270	



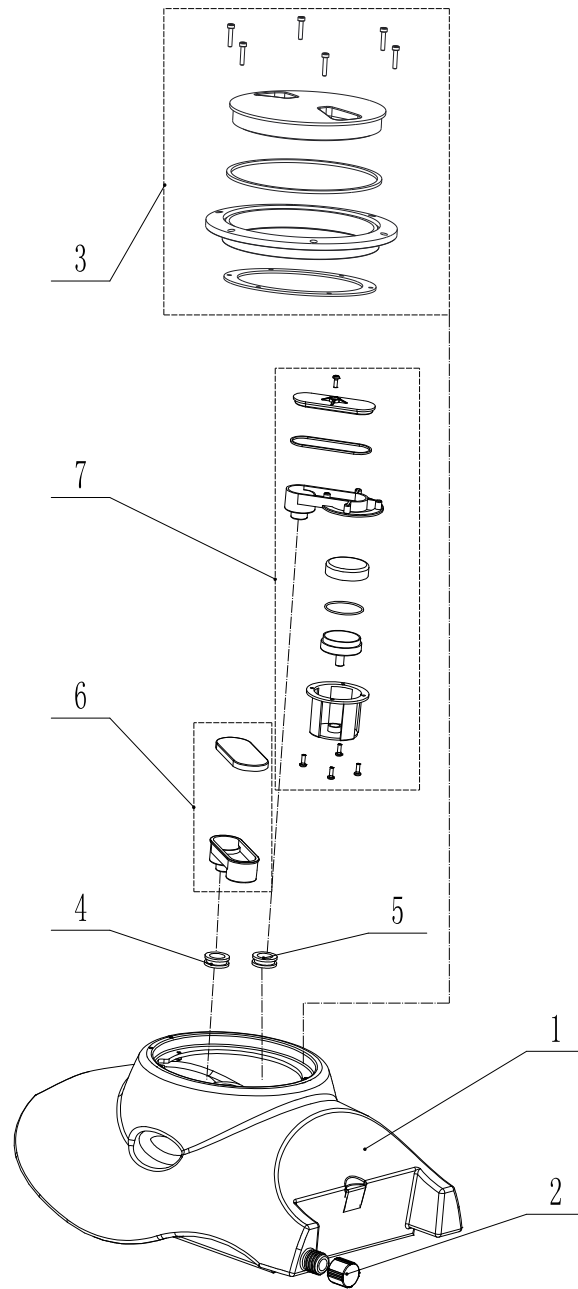
Pos.	Product no	QTY	Description	Notes
1	VF89402A	2	KIT WHEEL BUMPER 60MM	
2	VF89401	1	BRUSH SKIRT	
3	VF89803A	1	KIT CLUTCH BRUSH PA	



Pos.	Product no	QTY	Description	Notes
1	VF89608B	1	KIT CONTROL HOUSING FRONT	
2	VF89025-4	1	BOARD CONTROL PANEL	
3	VF89025-3	1	COMMUNICATION WIRE	
4	VF89620	1	KIT 4-LEG SWITCH	
5	VF89615A	1	KIT TRIGGER AND SWITCH	
6	VF89618B	1	KIT CONTROL HOUSING REAR	
7	VF89610A	1	KIT HANDLE RELEASE	
8	VF89601A	1	HANDLE METAL	



Pos.	Product no	QTY	Description	Notes
1	VF89625C	1	KIT FRONT CONTROL HOUSING	
2	VA41028C	1	ELECTRO MAGNETIC INTERFE	
3	VF89044D	1	KIT CONTROL WIRE	
4	VF89623	3	SWITCH CONTROL	
5	VF89615A	1	KIT TRIGGER AND SWITCH	
6	VF89627C	1	KIT REAR CONTROL HOUSING	
7	VF89610A	1	KIT HANDLE RELEASE	
8	VF89601A	1	HANDLE METAL	
9	VF89075	1	GROMMET POWER CABLE	



RECOVERY TANK

AS380/15

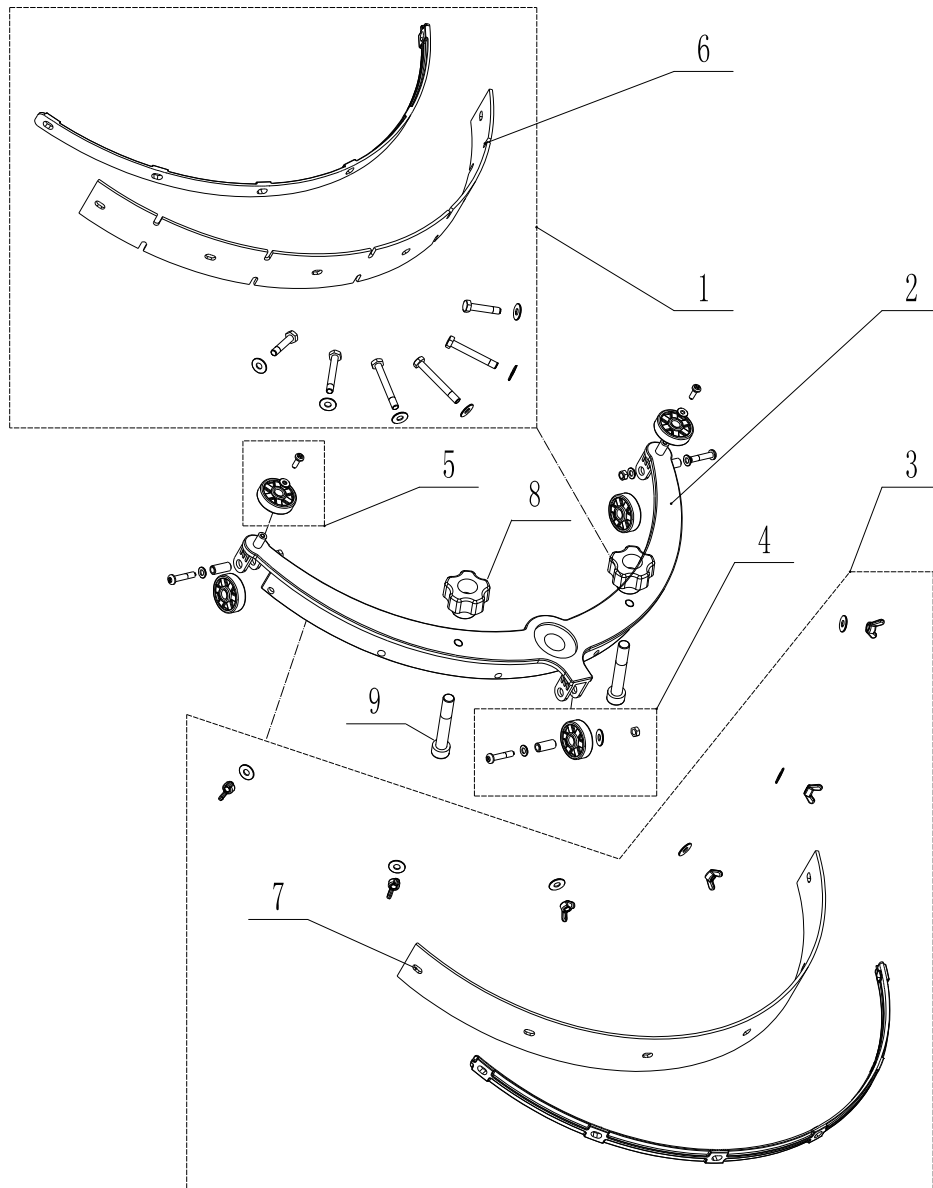
2017.11.02

2016.08.09

Pos.	Product no	QTY	Description	Notes
1	VF89701	1	RECOVERY TANK	
2	VF89110A	1	KIT DRAIN WATER	
3	VF89716A	1	RECOVERY TANK COVER KIT	[1]
3	VF89827	1	KIT RECOVERY TANK 15L	[2]
4	VF89810	1	BUSHING TANK RUBBER BLACK	
5	VF89811	1	BUSHING TANK RUBBER GREY	
6	VF89828	1	KIT SQUEEGEE SUCTION	
7	VF89829	1	KIT SQUEEGEE VACCUM	

Part Notes:

- [1] - After Dec.1,2013
- [2] - Before Dec.1,2013



Pos.	Product no	QTY	Description	Notes
1	VF89822	1	BLADE KIT FRONT	
2	VF89815	1	SQUEEGEE BRACKET	
3	VF89825	1	BLADE KIT REAR	
4	VF89826	1	KIT WHEEL SQUEEGEE	
5	VF89506B	1	KIT WHEEL SQUEEGEE	
6	VF89807	1	BLADE SQUEEGEE FRONT	
6	VF89807-PU	1	SQUEEGEE BLADE FRONT PU	
7	VF89808	1	BLADE SQUEEGEE REAR	
7	VF89808-PU	1	SQUEEGEE BLADE REAR PU	
8	VF89510	1	SCREW NUT	[1]
9	VF85698	1	HEX SOCKET SCREW M8X55	[1]

Part Notes:

[1] - TSB 2016-004 FANG15 AS380 squeegee screw knob improvement

**No
Diagram
Available**

**Parts List
Only**

WEAR AND TEAR PARTS

AS380/15

2017.11.02

2016.08.09

Pos.	Product no	QTY	Description	Notes
1	VF89033A	1	KIT SOLENOID WALVE 24V	
2	VF89039	1	KIT BATTERY 24V AGM	[1]
3	VF89007A	1	KIT LIFT CABLE SQUEEGEE	
4	VF89025A	1	KIT MAIN CONTROL CIRCUIT	
5	VF89023UK	1	KIT CHARGER 24VDC	
5	VF89023EU	1	KIT CHARGER 24VDC	
6	VF89303A	1	KIT WASHER SCREW	
7	VF89012	1	HANDLE GRIP RUBBER	
8	VF89202A	1	KIT WHEEL 10 INCH PLASTIC	
9	VF89105B	1	HOSE CONNECT SQUEEGEE	
10	VF89104A	1	KIT VACUUM HOSE PLASTIC	
11	VF89111	1	KIT SOLUTION CONTROL	
12	VF89110A	1	KIT DRAIN WATER	
13	VF89309B	1	KIT VACCUM MOTOR 24V	
14	VF89309C	1	KIT VACCUM MOTOR	
15	VF89302B	1	KIT BRUSH MOTOR 24V 250W	
16	VF89041C	1	KIT BRUSH MOTOR	
17	VF89314A	1	KIT BELT ADJUSTING HARDWARE	
18	VF89323	1	DRIVE BELT PJ270	
19	VF89402A	1	KIT WHEEL BUMPER 60MM	
20	VF89401	1	BRUSH SKIRT	
21	VF89803A	1	KIT CLUTCH BRUSH PA	
22	VF89817	1	PAD DRIVER FOR FANG 15B	
22	VF89830	1	BRUSH 15INCH PLASTIC	
23	VF89025-4	1	BOARD CONTROL PANEL	
24	VF89025-3	1	COMMUNICATION WIRE	
25	VF89620	1	KIT 4-LEG SWITCH	
26	VF89615A	1	KIT TRIGGER AND SWITCH	
27	VF89610A	1	KIT HANDLE RELEASE	
28	VF89701	1	RECOVERY TANK	
29	VF89716A	1	RECOVERY TANK COVER KIT	
30	VF89810	1	BUSHING TANK RUBBER BLACK	
31	VF89811	1	BUSHING TANK RUBBER GREY	
32	VF89828	1	KIT SQUEEGEE SUCTION	
33	VF89829	1	KIT SQUEEGEE VACCUM	
34	VF89826	1	KIT WHEEL SQUEEGEE	
35	VF89506B	1	KIT WHEEL SQUEEGEE	
36	VF89807	1	BLADE SQUEEGEE FRONT	
37	VF89807-PU	1	SQUEEGEE BLADE FRONT PU	
38	VF89808	1	BLADE SQUEEGEE REAR	
39	VF89808-PU	1	SQUEEGEE BLADE REAR PU	
40	VF89033B	1	KIT SOLENOID WALVE 220V	
41	VF89041-1	1	RUN CAPACITOR	
42	VF89041-2	1	START CAPACITOR	
43	VF89040	1	BREAKER CIRCUIT 6AMP	
44	VF89041-3	1	RELAY FLA 16A 277V 50HZ	
45	VF89044C	1	WIRE HARNESS MOTOR	
46	VF89043-EU	1	POWER CORD	
46	VF89043-UK	1	CABLE	
47	VA41028C	1	ELECTRO MAGNETIC INTERFE	
48	VF89044D	1	KIT CONTROL WIRE	
49	VF89623	1	SWITCH CONTROL	
50	VF89075	1	GROMMET POWER CABLE	

Part Notes:

[1] - PRUNED - NO REPLACEMENT

